

Patents, Designs, and Trade Marks

SUPPLEMENT

TO THE

NEW ZEALAND GAZETTE

OF

THURSDAY, AUGUST 20, 1908.

Published by Authority.

WELLINGTON, THURSDAY, AUGUST 20, 1908.

CONTENTS.

	Page
Complete Specifications and Drawings open to Inspection	2201
List of Applications for Patents available for Inspection	2201
International and Intercolonial Arrangements for the Mutual Protection of Patents and Trade Marks	2202
Patent Publications in New Zealand	2202
Books and Documents open to Inspection at Patent Office, Wellington	2202
Official Publications	2203
Local Patent Offices	2203
Applications for Letters Patent filed	2203
Complete Specifications filed after Provisionals	2204
Complete Specifications accepted	2204
Provisional Specifications accepted	2209
Letters Patent sealed	2210
Letters Patent on which Fees have been paid	2210
Subsequent Proprietors of Letters Patent registered	2210
Notice of Request to amend Specification	2210
Requests for Correction of Clerical Errors in Applications for Letters Patent	2211
Requests for Correction of Clerical Errors in Applications for Letters Patent allowed	2211
Applications for Letters Patent abandoned	2211
Applications for Letters Patent void	2211
Applications for Letters Patent lapsed	2211
Letters Patent void	2211
Designs registered	2211
Designs expired	2211
Applications for Registration of Trade Marks	2212
Erratum	2218
Trade Marks registered	2219
Subsequent Proprietor of Trade Mark registered	2219
Trade Mark Renewal Fees paid	2219
Trade Marks removed from the Register	2219
Request for Correction of Clerical Error in Trade Mark Application allowed	2219
Request for Amendment of Trade Mark Application allowed	2219
Notice <i>re</i> Advertisements	2219

Complete Specifications and Drawings open to Inspection at Auckland, Dunedin, and Christchurch.

COPIES of the complete specifications and drawings advertised in the *Gazette* will be sent for public inspection to the

LOCAL PATENT OFFICES
IN THE

SUPREME COURT BUILDINGS

in the following towns on or about the dates mentioned:—

Auckland.

Gazette No. 64, of the 20th August. 26th August to 9th September, inclusive.

Dunedin.

Gazette No. 64, of the 20th August. 15th September to 29th September, inclusive.

Gazette No. 61, of the 6th August. 1st September to 15th September, inclusive.

Gazette No. 58, of the 23rd July. 18th August to 1st September, inclusive.

Christchurch.

Gazette No. 64, of the 20th August. 3rd October to 17th October, inclusive.

Gazette No. 61, of the 6th August. 19th September to 3rd October, inclusive.

Gazette No. 58, of the 23rd July. 5th September to 21st September, inclusive.

Gazette No. 54, of the 9th July. 22nd August to 7th September, inclusive.

[NOTE.—The office can take no responsibility if from any cause the specifications are not so available.]

List of Applications for Patents available for Inspection at Auckland, Christchurch, and Dunedin.

MANUSCRIPT list of applications for Letters Patent (containing number, date, name of applicant, address, and title of invention) are now forwarded weekly to the local Patent Offices mentioned, where they may be inspected.

International and Intercolonial Arrangements for the Mutual Protection of Patents and Trade Marks.

INTERNATIONAL CONVENTION.

THE following countries now belong to the Convention:—

Australia.	Italy.
Belgium.	Japan.
Brazil.	Mexico.
Ceylon.	New Zealand.
Cuba.	Norway.
Denmark and Faroe Islands.	Portugal, with the Azores and Madeira.
Dominican Republic.	Servia.
France, with Algeria and Colonies.	Spain.
Germany.	Sweden.
Great Britain.	Switzerland.
Holland, with East Indian Colonies, Curaçoa, and Surinam.*	Tunis.
	United States of America.

* Trade marks only.

Separate arrangements have been made between Australia and New Zealand.

Particulars of the Convention and of such arrangements may be seen in the following *Gazettes*:—

Notification of adhesion of New Zealand to the Convention, with text thereof (in English), in the *Gazette* of 26th November, 1891; notification of adherence of New Zealand to the Additional Act of the Convention, with text (in English), of such Additional Act, in Patents Supplement to *Gazette* No. 101, of the 16th November, 1905; Order in Council applying section 103 of the Imperial Act to New Zealand, in *Gazette* No. 27, of the 15th May, 1890; Orders in Council containing arrangements between Australia and New Zealand, in Patent Supplements to the *Gazette* Nos. 22 of the 9th March, 1905, and 38 of the 20th April, 1905.

Patent Publications in New Zealand.

THE following publications relating to Patents for inventions, &c., are open to inspection in the Dominion:—

WELLINGTON.—PATENT OFFICE LIBRARY.

United Kingdom.

The full text of the specifications and complete drawings of inventions patented from the year 1617 up to the 14th May, 1908.

Classified illustrated abridgments of inventions from 1855 to 1905 and part of 1906.

Illustrated Official Journal, containing lists of recent applications, abridgments of inventions for which patents have been lately granted, patents void, &c., to July, 1908.

Index of Applicants.

Subject-matter Index.

Commissioner of Patents Journal, &c. (a).

Trade Marks Journal to May, 1908.

Canada.

Patent Office Record (containing illustrated abridgments of inventions, &c.) to March, 1908.

Australia.

The full text of the specifications and complete drawings in respect of applications accepted from the 11th January, 1906, to the 4th September, 1907, inclusive.

The Official Journal of Patents of the Australian Commonwealth (containing lists of applications for letters patent, abridgments of complete specifications accepted, &c.).

The Australian Official Journal of Trade Marks (containing lists of applications for registration of trade marks, &c.).

Specifications, drawings, abridgments, and indexes of Victoria, New South Wales, Queensland, and South Australia (b).

United States.

The full text of the specifications and drawings for the year 1905.

The Official Gazette of the United States Patent Office (containing illustrated abridgments of specifications, &c.) to June, 1908.

(a) Discontinued.

(b) In arrear. Not now being printed.

Mexico.

The Official Gazette of the Patent and Trade Mark Office.

General.

La Propriété Industrielle (the official organ of the International Bureau of the Union for the Protection of Industrial Property).

Patent laws of the world.

Patent and Trade Mark Review.

Text-books and handbooks on patents and trade marks.

AUCKLAND.—PUBLIC LIBRARY.

United Kingdom.

Classified abridgments of inventions from 1855 to 1904.
Illustrated Official Journal from 1897 to date.

Canada.

Patent Office Record (containing illustrated abridgments of inventions, &c.) from 1897 to date.

Australia.

The Official Journal of Patents from 1905 to date.

United States.

The Official Gazette of the United States Patent Office (containing illustrated abridgments of specifications, &c.) from 1885 to 1887 and 1890 to 1895.

CHRISTCHURCH.—PUBLIC LIBRARY.

United Kingdom.

Classified abridgments of inventions from 1855 to 1904.
Illustrated Official Journal from October, 1905, to date.

Canada.

Patent Office Record (containing illustrated abridgments of inventions, &c.) from 1897 to date.

Australia.

The Official Journal of Patents from 1905 to date.

DUNEDIN.—TOWN HALL.

United Kingdom.

Classified abridgments of inventions from 1855 to 1904.
Illustrated Official Journal from October, 1905, to date.

Australia.

The Official Journal of Patents from 1905 to date.

Books and Documents open to Inspection at Patent Office, Wellington.

THE following documents and books are open to public inspection at the Patent Office:—

PATENTS.

(Fee for each search or inspection, not exceeding one hour, 1s.)

1. The files relating to all applications for letters patent in respect of which complete specifications have been accepted.
2. Classified copies of specifications and drawings, with index and key (a).
3. Register of Applications for Letters Patent.
4. Register of Patents.
5. Register of Subsequent Proprietors of Letters Patent (b).
6. Index of Patentees (c).
7. Index of Proprietors of Letters Patent granted prior to 1890 (d).
8. Index of Specifications (e).

(a) Key is in card index.

(b) This Register contains only names of subsequent proprietors of letters patent granted prior to 1st January, 1890; since that date they appear in Register of Patents.

(c) Includes all names of applicants, &c., and consists of four volumes to 4th November, 1903, and card index since that date. A separate card index is kept for current quarter.

(d) The names of proprietors of subsequent letters patent appear in the Index of Patentees.

(e) Contains classified abridgments of specifications from 1861, with extracts from drawings from July, 1904.

DESIGNS.

(Search fee, 1s. each quarter of an hour.)

1. Register of Designs, with Index of Names of Proprietors.
2. Classified Representations of Designs in respect of which Copyright has expired.
3. Index of Designs.

TRADE MARKS.

(Search fee, 1s. each quarter of an hour.)

1. The files relating to all applications for registration of trade marks.
2. Register of Applications for Registration of Trade Marks.
3. Register of Trade Marks.
4. Index of Applicants for Registration of Trade Marks^(a).
5. Index of Trade Marks.
6. Classified Representations of Trade Marks, with indexes.

MISCELLANEOUS.

Register of Patent Agents.

FORMS AND PUBLICATIONS.

The following forms, &c., may be had on application at the Patent Office, Wellington, or at any of the local Patent Offices named below:—

- Application for letters patent.
- Provisional specification.
- Complete specification and copy thereof.
- Application for registration of design.
- Application for registration of trade mark.
- Applications for extension of time.
- Requests by subsequent proprietor to enter name on Register of Patents and Trade Marks.
- Printed sheets of information as to fees and procedure to obtain letters patent and to register a trade mark^(b).
- Pamphlet containing Act and Regulations (price 1s.).

^(a) Names of applicants for registration and proprietors of trade marks are indexed at the beginning of the Registers up to 31st December, 1889; in separate volume up to 5th September, 1904; and since the latter date in card index.

^(b) May also be obtained at any local Patent Office or money-order office.

Official Publications.

THE following publications may be obtained from the Government Printer, Wellington:—

- Printed specifications to the end of the year 1879.
- Annual lists of letters patent and letters of registration applied for, and particulars of applications lapsed, and patents lapsed, from 1880 to 1893 inclusive. (The lists for the last four of these years are contained in the *Annual Reports of the Registrar*.)
- Annual reports of the Registrar, containing alphabetical indexes of applicants for letters patent and of subject-matter of inventions patented from 1894 to 1906 inclusive.
- The Patents Supplement to *Gazette* (containing notifications, applications for letters patent, abridged descriptions and drawings of inventions, &c.), published fortnightly.

Local Patent Offices.

LOCAL Patent Offices for the reception of applications, supply of forms, &c., have been established at the following places:—

- Auckland—Supreme Court. (E. W. Cave, agent.)
- Thames—Courthouse. (J. Jordan, agent.)
- Gisborne—Courthouse. (G. J. A. Johnstone, agent.)
- New Plymouth—Courthouse. (J. Terry, agent.)
- Napier—Courthouse. (A. Trimble, agent.)
- Wanganui—Courthouse. (C. A. Barton, agent.)
- Nelson—Courthouse. (E. C. Kelling, agent.)
- Blenheim—Courthouse. (F. W. Hart, agent.)
- Westport—Courthouse. (O. E. Bowling, agent.)
- Greymouth—Courthouse. (B. Harper, agent.)
- Hokitika—Courthouse. (J. N. Nalder, agent.)
- Christchurch—Supreme Court. (W. W. Samson, agent.)
- Ashburton—Courthouse. (J. Fitzgerald, agent.)
- Timaru—Courthouse. (T. W. Taylor, agent.)
- Oamaru—Courthouse. (A. A. Mair, agent.)
- Dunedin—Supreme Court. (T. E. Roberts, agent.)
- Queenstown—Courthouse. (A. J. Thompson, agent.)
- Invercargill—Courthouse. (J. R. Colyer, agent.)

Applications for Letters Patent filed.

LIST of applications for Letters Patent filed. (Where a complete specification accompanies an application an asterisk is affixed; in all other cases a provisional specification has been lodged. In all cases where the applicant is not the inventor the name of the latter appears in italics after the title.)

- No. 24755.—3rd August.—J. W. Harris, Montreal, Canada. Excavator.* (*J. A. Desy*)
- No. 24756.—4th August.—T. Hallett, Auckland, N.Z. Flax-washer.
- No. 24757.—4th August.—C. Anketell, Masterton, N.Z. Ironing-board.
- No. 24758.—31st July.—A. M. Bartley, Auckland, N.Z. Rabbeting and grooving attachment to saws.
- No. 24759.—31st July.—M. Yarrow, Bolton, Eng. Earthenware pipe machine.*
- No. 24760.—31st July.—G. Walker, Tuakau, N.Z. Fibre-drying, loading, &c., mechanism.
- No. 24761.—4th August.—G. I. Lowe, Himatangi, N.Z. Rail-joint.
- No. 24762.—4th August.—F. H. James, Napier, N.Z. Target.
- No. 24763.—6th August.—E. C. and E. E. Barlow, London, Eng. Metal can or box manufacture.*
- No. 24764.—3rd August.—C. S. Bayley, Grey Lynn, N.Z. Trolley-head.
- No. 24765.—6th August.—F. Hursthouse, Manchester, Eng. Lamp-extinguisher.*
- No. 24766.—6th August.—K. B. Kristensen, Wellington, N.Z. Motor.
- No. 24767.—7th August.—P. Zerbino, Buenos Aires, Argentine. Sliding gate and automatic locking device.*
- No. 24768.—7th August.—H. Nathan, Geraldton, W.A. Emasculator for animals.
- No. 24769.—7th August.—W. H. Blacknam, Melbourne, Vic. Hot and cold water attachment for hydrocarbon engine. (*W. J. Teese*.)
- No. 24770.—3rd August.—R. H. Johnson, Dunedin, N.Z. Washing-tub.*
- No. 24771.—8th August.—G. W. Gough, Dunedin, N.Z. Book-support.
- No. 24772.—8th August.—J. A. Paterson, Wellington, N.Z. Hydrocarbon-gas generator.
- No. 24773.—7th August.—G. Forsyth, Christchurch, N.Z. Toaster and grill'er.
- No. 24774.—10th August.—L. Packer, Christchurch, N.Z. Trouser-clip.
- No. 24775.—7th August.—H. Bostock, Dunedin, N.Z. Boots and shoes. (*E. Bostock*.)
- No. 24776.—10th August.—T. Martin, Paeroa, N.Z. Billiard-table.*
- No. 24777.—10th August.—F. Basham, Hawera, N.Z. Roadway.
- No. 24778.—11th August.—J. Fitchett, Wellington, N.Z. Tipping-lorry.
- No. 24779.—7th August.—T. W. Maysen and J. Edgar, Auckland, N.Z. Life-saving catcher for tram-car.
- No. 24780.—8th August.—Wilson's Portland Cement Company, Limited, Auckland, N.Z. Waterproof Portland cement.* (*S. B. Newberry*.)
- No. 24781.—11th August.—T. Martyn, Paeroa, N.Z. Weatherboarding for buildings.*
- No. 24782.—11th August.—W. F. Lietz, Wellington, N.Z. Receptacle for liquids, &c.
- No. 24783.—11th August.—J. Harvie, Wellington, N.Z. Feed-mechanism for chaff cutter.
- No. 24784.—12th August.—S. E. Mason and W. V. Smith, Wellington, N.Z. Food-preserving apparatus.
- No. 24785.—12th August.—A. M. Perry, Wellington, N.Z. Mud-guard for cycle.
- No. 24786.—12th August.—C. J. Coleman, New York, U.S.A. Railway-signal*.
- No. 24787.—12th August.—J. E. Norman, Leicester, Eng. Manifoldng-book.*
- No. 24788.—12th August.—A. Gillies, Heidelberg, Vic. Teat-cup for milking-machine.
- No. 24789.—12th August.—H. S. Martin, Liverpool, Eng. Electrical-resistance device.
- No. 24790.—13th August.—R. Johnstone, N. Davis, and H. F. Smith, Footscray, Vic. Keyboard musical instrument.
- No. 24791.—13th August.—E. P. Crowe, Donald, Vic. Boring and straining appliance.

- No. 24792.—13th August.—J. T. Wallis, Sydney, N.S.W.
Horse crush or holder.*
- No. 24793.—13th August.—J. Pomeroy, Invercargill, N.Z.
Steam-boiler furnace, &c.
- No. 24794.—13th August.—T. Firth, Wellington, N.Z.
Horse-controller.*
- No. 24795.—13th August.—G. R. Andrew, Sydney, N.S.W.
Dress-cutting chart.*
- No. 24796.—13th August.—W. H. Blackham, Melbourne, Vic.
Milking-apparatus.*
- No. 24797.—13th August.—C. S. Elmsly, J. H. R. Taylor, and P. Bates, Temuka, N.Z.
Spouting-bracket.*
- No. 24798.—13th August.—J. Morris and S. A. B. Marks, Sydney, N.S.W.
Hat-fastening.*
- No. 24799.—12th August.—C. J. Sloman, Christchurch, N.Z.
Breeching and kicking strap.*
- No. 24800.—13th August.—G. D. Murchie, Christchurch, N.Z., and M. Badger, Rangiora, N.Z.
Coin-freed postage-machine.
- No. 24801.—14th August.—C. S. Elmsly, J. H. R. Taylor, and P. Bates, Temuka, N.Z.
Fire-kindler.*
- No. 24802.—15th August.—W. Houker, Nelson, N.Z.
Cask.*
- No. 24803.—15th August.—E. J. Butterworth, Manurewa, N.Z.
Instrument for ascertaining distances.
- No. 24804.—15th August.—J. L. Vipond and R. Williams, Matakana, N.Z.
Shirt-collar.
- No. 24805.—12th August.—H. Beaney, Auckland, N.Z.
Friction hoist.*
- No. 24806.—17th August.—G. Lamb, Carterton, N.Z.
Appliance for keeping doors open.

Complete Specifications filed after Provisionals.

LIST of complete specifications filed after provisional specifications, from the 5th to the 17th August, 1908, inclusive:—

- No. 23613.—W. Gale and L. Gunther, securing knives to chaff-cutter wheels.
- No. 23680.—R. Dunne, mitre-cutter.
- No. 23720.—H. B. Chapman, basket or parcel strap.
- No. 23736.—A. E. Taylor, trunk and hat-box.
- No. 24353.—E. Nesbitt, braces.
- No. 24354.—E. Nesbitt, shoulder-strap, skirt-holder, &c.
- No. 24667.—R. J. Smith, mortise-lock.

Notice of Acceptance of Complete Specifications.

Patent Office,
Wellington, 19th August, 1908.

COMPLETE specifications relating to the undermentioned applications for Letters Patent have been accepted, and are open to public inspection at this office. Any person may, at any time within two months from the date of this *Gazette*, give me notice in writing of opposition to the grant of any such patent. Such notice must set forth the particular grounds of objection, and be in duplicate. A fee of 10s. is payable thereon.

No. 22916.—10th May, 1907.—JAMES BUDGE, of 209-215 Harris Street, Pyrmont, Sydney, Engineer, and WILLIAM BOOTH, of Wellington, Factory-manager, both of New South Wales, Australia. Improved apparatus for cutting butter and suchlike into various sizes and weights as may be required.

Claims.—(1.) The arrangement and combination of an apparatus or box with a bracket and a screw, placed horizontally preferred, the thread of bracket having a movable cover; the screw is pivoted to movable board allowing the raising of screw disengaging it from the thread; the raising the cover on moving the front allows of the butter being tipped by one turn into the box, the front frame when engaged keeps the cover down; the cover is held to the apparatus by two catches. (2.) The general arrangement, construction, and combination of parts constituting the apparatus for handling and cutting butter or suchlike into sizes or weights as described, and for the purposes set forth and specified.

(Specification, 4s. 6d.; drawing, 1s.)

No. 23294.—14th August, 1907.—ISAAC SHONE and EDWIN AULR, both of 47 Victoria Street, Westminster, London, England, Civil Engineers. Improvements in and connected with pneumatic sewage and other liquid-moving systems and apparatus.

Claims.—(1.) In a sewage or draining system, a pneumatic liquid forcing or ejecting apparatus 20, disposed within a chamber 1; a series of gravitating drains or sewers, such as 3, 5, conveying liquid to said ejector or ejectors; and liquid discharge or outfall pipes 11, 12, through which the forced liquid is discharged, and means adapted to coact with the ejector to ventilate the system, substantially as set forth. (2.) In a sewage or draining system, a pneumatic liquid forcing or ejecting apparatus 20, disposed within a chamber below the ground; a series of gravitating drains or sewers 3, 5, conveying liquid to said ejector or ejectors; a manhole chamber 8 at or near the ejector or ejectors into which the gravitating-sewers 5 discharge their contents, and from which the liquid flows by an inlet-pipe 10 to the ejector or ejectors; liquid discharge or outfall pipes 11, 12, through which the forced liquid is discharged; a chamber 15 containing an air-jet exhausting-apparatus 17, and connected by a pipe 18 with the said manhole chamber 8, and said exhausting-apparatus 17 being operated by the exhaust air led from the ejector or ejectors through pipe 14; and a ventilating-column 16 into which the exhausting-apparatus 17 discharges, substantially as set forth. (3.) In a sewage or other liquid pneumatic ejector apparatus, a pair of ejectors 20, with an air-distributing valve, main air-supply, and exhaust-piston valves 40; and alternating controlling valve 25, with compressed-air supply and discharge pipes. (4.) The application and use in connection with two pneumatic ejectors, the contents of which are periodically forced out by means of compressed air, of a controlling-valve, operating and constructed substantially as described. (5.) In sewage or other liquid pneumatic forcing-apparatus, an ejector vessel having within it a raising and lowering float and weight device, connected with and operating upon a compressed-air distributing-valve, and a main air-supply and exhaust-piston-valve device 3 supported externally above said floating device upon said vessel, and connected by a pipe therewith; and upwardly extended return pipes 41 through which the air has to flow to and from the vessel, and by which the valve apparatus below is protected from being flooded, substantially as set forth. (6.) In sewage or other liquid pneumatic ejector apparatus, the vessel 20, having connected with it, and supporting the valve, and piston-valve apparatus 40, said valve apparatus being connected with the interior of the vessel by the pipe 41, which has upon it the internal and external concentric pipes 41x, arranged, combined, and adapted to operate as shown in and set forth with reference to Figs. 3 and 3a of the drawings. (7.) In sewage or other pneumatic ejector apparatus, a main air piston-valve supply and exhaust apparatus connected with the ejector 20 by a pipe, as 41, having upon it a removable perforated pipe portion 92, arranged and adapted to operate as and for the purposes described. (8.) In sewage or other liquid-forcing systems and apparatus, an ejector chamber comprising cast-metal rings connected together, the lower ring having a supporting part internally for carrying the floor 21, constructed as set forth.

(Specification, 10s.; drawing, 5s.)

No. 23312.—16th August, 1907.—HENRY ANGUS NICHOLSON, of Otautau, New Zealand, Agent. An improved method of and means for use in treating flax before stripping.

Claims.—(1.) Means for the purpose described, the same consisting of a staging and a truck to run thereon, a tank to contain the boiling water arranged alongside such staging, and a cage adapted to hold the flax, and to be lowered into the tank and raised therefrom, substantially as specified. (2.) The improved means for treating flax substantially as described and explained, and as illustrated in the drawings.

(Specification, 2s. 6d.; drawing, 1s.)

No. 23325.—21st August, 1907.—CALEB DAVIES PIKE, of Wellington, New Zealand, Importer. An improved flooring-cramp.*

Extract from Specification.—This invention relates to an improved construction of flooring-cramp, the principal feature of which consists in the combination with a ratcheted ram or plunger mounted in a frame, and operated by a pivoted

pawl lever, of special form of appliances by means of which the cramp may be firmly fixed upon joists of varying widths and released therefrom with a minimum of trouble. Means are provided whereby a gripping arrangement and pawls of the cramp are readily released, and simple means are provided for retaining a gripping-block in engagement with its slide-bar.

[NOTE.—The above extract from the specification is inserted in place of the claims.]

(Specification, 2s. 9d. ; drawing, 1s.)

No. 23327.—21st August, 1907.—AUSTIN JOSEPH HOBAN, of Scargill, Canterbury, New Zealand. Girthgall preventive.*

Claims.—(1.) The means—a pair of straps from terret on trap-saddle to trace-rings on hames. (2.) The application and combination of the various parts specified for the purpose set forth, as described and illustrated.

(Specification, 1s. ; drawing, 1s.)

No. 23412.—1st September, 1907.—CHARLES HENRY EDMUND HOPE-JOHNSTONE, of Aramoho, Wellington, New Zealand, Factory-manager (assignee of the company Nutricia Centrale fur Backhausmilch, Gesellschaft mit beschränkter Haftung, incorporated according to the laws of the Kingdom of Prussia, domiciled in No. 111 Potsdamerstrasse, Berlin, Prussia, German Empire—assignees of Gustav Litsche, of No. 2 Steinmetzstrasse, Berlin, Prussia, aforesaid, Merchant). An improvement in preparing milk for food.

Claim.—The improvement in the described process of preparing cow's milk or the milk of other domesticated animals for food, especially for infants, which improvement consists in employing an acid, such as citric acid, or a salt of a weak alkaline nature, such as citrate or bicarbonate of sodium, in the unsterilised mixture of cream and treated skim-milk, substantially as and for the purpose described.

(Specification, 1s. 9d.)

No. 23421.—27th August, 1907.—WILLIAM JOHN O'CONNOR, of Nightcaps, New Zealand, Blacksmith. Improvements in hammers and spanners.*

Claim.—The combination with a handle-piece, having at one end a shifting-jawed spanner, of a hammer-head formed integral with or secured to the other end of the handle-piece, so that the handle of the spanner forms the handle of the hammer, substantially as described.

(Specification, 1s. ; drawing, 1s.)

No. 23460.—12th September, 1907.—CHARLES GODFREY WHITAKER, of Christchurch, New Zealand, Mechanical Engineer. An improved egg-carrier.*

Claims.—(1.) In egg-carriers of the class referred to, forming the trays with battens of suitable width and securing a row of egg-holding loops along each edge of each batten, substantially as specified. (2.) The improved egg-carrier constructed substantially as described and explained, and as illustrated in the drawings.

(Specification, 2s. ; drawing, 1s.)

No. 23532.—30th September, 1907.—MAX RUPING, of 19 Stuttgarterplatz, Charlottenberg, Germany. Manufacturer and Merchant. Methods for impregnating wood and other porous materials.

Claim.—The method of impregnating wood or other porous material, consisting in subjecting the material to be impregnated to a strong fluid-pressure, so that the cells, pores, or cavities are first filled with highly compressed air or gas, which, after the material has been treated with impregnating liquid under still greater pressure, presses (by its expansion when the pressure is cut off and, if desired, a vacuum created) the excess of impregnating liquid wholly or partly out of the cells, pores, or cavities of the material, substantially as described.

[NOTE.—Here follow five other claims.]

(Specification, 6s.)

No. 23564.—8th October, 1907.—GEORGE WATSON, Stripper-keeper, and ANDREW WYND, Engine-driver, both of Foxton, New Zealand. Automatic adjustable beating-bar for flax-stripping.*

Claim.—It consists in means by which the space between the beating-bar of a flax-stripper and the drum is automatically adjusted to the thickness of the flax by the action of two levers actuated by weights, the levers causing two blocks to move forward, these two blocks having fixed at or near their ends the beating-bar, which is accordingly pushed forward by the action of the levers on the blocks, thus keeping an even pressure against the flax between the beating-bar and the drum.

(Specification, 1s. 6d. ; drawing, 1s.)

No. 23605.—17th October, 1907.—GEORGE HOLT FRASER, of 226 Quincy Street, Brooklyn, New York, United States of America, Manufacturer. Improvements in crushing-machines.

Extract from Specification.—This invention relates to machines for crushing, grinding, or pulverising. The crushing is performed between the inner face of a revolving ring and the outer faces of crushing-rolls (usually three), which press outwardly against the ring. The rolls are mounted on transverse shafts, to one of which the driving-power is applied for rotating the ring and the remaining rolls by traction. The roll-shafts are carried in rigid bearing-frames, which are hung so as to freely swing in directions radially of the ring. The ring and rolls are enclosed in a suitable casing.

[NOTE.—The above extract from the specification is inserted in place of the claims.]

(Specification, 5s. 6d. ; drawing, 4s.)

No. 23683.—7th November, 1907.—STEPHEN JOHN PHILLIPS, of Hallett, South Australia, Railway Ganger. An improved cutting and cauterizing device.*

Claims.—(1.) An improved cutting and cauterizing device, comprising a two-part tool to which heat is continuously applied. (2.) In a cutting and cauterizing device, consisting of a two-part tool, a cutting member, and means for continuously applying heat to such member, substantially as described and for the purpose indicated. (3.) An improved cutting and cauterizing device, comprising a two-part tool consisting of a cutting member and a pivoted compressing or gripping member, to which tool heat is continuously applied, substantially as described. (4.) In a cutting and cauterizing device, the combination with a movable compressing or gripping member (such as B) and a stationary cutting member (such as A) with knife (such as A¹), of means for continuously applying heat to the knife (such as A¹) through a hollow casting (such as A²) having an exhaust (such as A⁴), substantially as described and for the purpose indicated.

(Specification, 3s. ; drawing, 1s.)

No. 23718.—6th August, 1907.—PAUL BOLL, of Crassy Street, Deniliquin, Electrical and Mechanical Engineer, and RALPH FALKNER, of Moonbria, Pastoralist, both of New South Wales, Australia. Improved mechanism for driving sheep-shearing machines.

[NOTE.—This is an application under section 106 of the Act, the date given being the official date of the application in Australia.]

Claims.—(1.) In combination, a sheep-shearing machine coupled to the armature-spindle of an electro-motor, substantially as and for the purposes specified, and as illustrated in the drawings. (2.) In combination, a sheep-shearing machine coupled to the armature-spindle of an electro-motor by means of flexible shafting, substantially as and for the purposes specified, and as illustrated in the drawings. (3.) In combination, a sheep-shearing machine coupled to the spindle of an electro-motor, a variable resistance-coil and starting-switch within the circuit to control the speed of said motor, substantially as described, and as illustrated in the drawings. (4.) The combination with a sheep-shearing machine of an electro-motor, the armature-spindle of said motor being coupled to the sheep-shearing machine by means of flexible shafting, the whole being enclosed in a suitable casing and hung upon a bracket or support by means of an eyebolt,

substantially as described, and as illustrated in the drawings. (5.) In combination, a sheep-shearing machine coupled to the armature-spindle of an electro-motor by means of a universal joint and spindle, substantially as described, and as illustrated in Fig. 3 of the drawings.

(Specification, 4s. ; drawing, 1s.)

No. 23759.—25th November, 1907.—LIONEL NETHERSOLE RALPH, of Pongakawa, Bay of Plenty, New Zealand, Farmer. Device for one man to run out barbed wire.*

Claim.—An improvement for uncoiling and laying barbed wire, consisting of a fork bolted into wooden handle, the other end of fork being turned up so as to form two eyes, through which a plug is driven, and so placing the reel or spool in position, substantially as described in the specification, and illustrated on the drawing.

(Specification, 1s. ; drawing, 1s.)

No. 24056.—26th February, 1908.—WILLIAM CUTLER, of 10 Wheelays Road, Edgbaston, Birmingham, Warwick, England, Manufacturer. Improvements in the mode of and means for manually propelling boats, and steering.

Claims.—(1.) A combined propelling and steering mechanism applicable to a boat, and adapted for manual operation, substantially as set forth. (2.) A manually propelled boat operable by a reciprocating action, substantially as set forth. (3.) A steering mechanism comprising a driven propeller the direction of action of which may be varied in relation to the boat, substantially as set forth. (4.) In a manually propelled boat, an inertial shaft gearing with the propelling mechanism and mounted substantially as and for the purpose set forth. (5.) The improvements in the mode of and means for manually propelling and steering boats, substantially as and for the purposes set forth and illustrated.

(Specification, 6s. 6d. ; drawing, 1s.)

No. 24520.—11th June, 1908.—FRANCIS ERNEST ROSS, of Cambridge, Auckland, New Zealand, Farmer. Improvements in doors for allowing cows to pass out of a cowshed when milked, and means for opening and closing same.

Claim.—Pivoted doors closing the cow-exits at back of cowshed, and also closing those portions of the back of cowshed between the exits through which the cow does not pass. The portions of doors closing cow-exits swinging out from the shed, the portion of the doors closing the parts of shed through which the cows do not pass, swinging into the shed. Rod attachments to said doors for opening and closing same, and means for simultaneously opening and closing a number of doors, and for opening and closing any one of said doors, in the manner and for the purpose set forth, as described and illustrated.

(Specification, 3s. ; drawing, 1s.)

No. 24542.—18th June, 1908.—JOHN BEATTIE, Farmer, and ROBERT NIVEN FULTON, Electrical Engineer, both of Dunedin, New Zealand. An improved check rack for adjustable seats for vehicles.

Extract from Specification.—In our invention we provide a plate which is adapted to be secured to the upper surface of the side rails of the body-part of a cart. The said plate is provided with rectangular pieces, which are riveted thereto, cast or stamped integral therewith, spaced at equal distances, thus forming a checked rack having alternately a raised rectangular piece and a space equal to the length of the raised piece. There is a mating part similarly constructed, with one or more rectangular raised pieces adapted to engage in the check formed between the raised rectangular pieces on the plate secured to the upper surface of the side rail. When it is desired to shift the seat backwards or forwards the weight on the seat is eased and a slight push to the rear or a forward pull is all the operation necessary for adjustment.

[NOTE.—The above extract from the specification is inserted in place of the claims.]

(Specification, 2s. ; drawing, 2s.)

No. 24545.—20th June, 1908.—FRANK COOPER, of Christchurch, New Zealand, Implement-manufacturer. In improved skeith-buckle.

Claim.—A sleeve E with gap J therein, together with cones G and H in combination with an eye-bolt buckle for the purpose of adapting same to skeith, either rigid or swivel, substantially as shown in drawings and described.

(Specification, 1s. ; drawing, 1s.)

No. 24553.—24th June, 1908.—CHARLES GORMAN CUSACK WHYTE, of Pile Street, Marrickville, Sydney, New South Wales, Australia, Accountant, and ARTHUR RAU, of No. 53 Terry Street, St. Peters, Sydney aforesaid, Professional Shorthand-writer. Improvements in and relating to manifold copying-books.

Extract from Specification.—By means of this invention provision is made to further increase the number of reproduced copies of written matter in books hitherto serviceable either for duplicating or triplicating purposes, in which the well-known method is adopted of using, in combination with the leaves, an interleaved transfer or copying sheet, whose withdrawal will allow of the combined sheets being detached, while the copying-medium is available for further use. Such books have been in use for recording "counter sales," "orders out," "accounts," "correspondence," and the like, but in them no provision has been made for producing, as may be required, an additional copy or copies of the writing. This invention, therefore, is devised to meet such a contingency, and with the aid of double-faced transfer-paper, used either singly or folded, in association with a separate packet of transparent sheets, the number of copies may be increased from two to three, or from two to five, as may be required. This is accomplished by utilising conjointly the covers of the book, and attaching to their inner surfaces two sets or packets of leaves, so placed in juxtaposition that they will, when the book is closed, overlay, one set being composed of transparent sheets only, and the other of opaque sheets only, or of opaque sheets, single or folded, in combination with single transparent sheets.

[NOTE.—The above extract from the specification is inserted in place of the claims.]

(Specification, 10s. ; drawing, 1s.)

No. 24574.—27th June, 1908.—DONALD HERMAN SMITH, of "Benningholm," Curlewis, New South Wales, Australia, Farmer. An improved reversible multi-furrow disc plough.

Extract from Specification.—This invention relates to that class of plough equipped with a plurality of discs, arranged in line upon separate axles or otherwise, and one of its eminent contemplations is to provide an implement capable of assuming a position for a return journey without its discs making unnecessary travel, the draft being materially increased or the implement unduly strained. According to this invention the plough, at the end of the furrows produced by its passage, may attain an attitude for its progress in the reverse direction with celerity and comparative ease, the main body and discs moving through approximately only ninety degrees (90°), although the draft animals traverse, necessarily, one hundred and eighty degrees (180°). By this present invention, upon the completion of a furrow, a furrow-wheel and steering-wheel are released from the position by which they have been restraining the plough. Following the line of least resistance and being unhindered, the implement immediately runs out of alignment with and clear of the furrows it has completed, at nearly right angles thereto, over or on to the unploughed land. The draft animals are then turned towards the ploughed or furrowed land, and draw with them the draft-bars. These slide round a semicircular front of the framework, and upon reaching the end of the said front by a continuation of the draft over the furrowed land, the plough swings for about ninety degrees (90°) to attain the correct cutting side of the discs, furrow-width, and line of draft. The line of draft, when the plough is ready to proceed, has therefore been transferred from one side of the framework-front to the other. The discs are situated beneath the framework of the implement, which, it will be conceived, is drawn from one side of the semicircular front end, and are capable of being elevated or depressed in relation to the ground and the said framework, either in unity or one end of the series at a time. Bearing inside each disc is a scraper, adapted to be partially turned so that the

up-going side of each disc is always freed of accumulations. The furrow-wheels may be employed in a trailing situation or be utilised in a reverse or forward position, as preferred. The discs, further, are retained in a state of perfect rigidity with the plough-framework, the taking-up of any slackening or looseness being speedily accomplished.

[NOTE.—The above extract from the specification is inserted in place of the claims.]

(Specification, 17s. 6d. ; drawing, 2s.)

No. 24589.—1st July, 1908.—WILLIAM HARDWICK, of 18 Avon Terrace, York, Western Australia, Australia, and JOHN EDWARD HARDWICK, of 169 Royal Street, Perth, Western Australia, Australia, Manufacturing Saddlers. Metal-framed horse-collar.

Extract from Specification.—The object of this invention is to construct a horse or other animal collar with a metal frame, rim, or fore-wale, formed in two halves, and which may be secured to the collar by means of stitches or rivets. The use of this invention thereby provides an immovable metal frame or foundation, and so prevents the spreading or alteration in the form of the collar when in use, so that it permanently retains the original shape. The metal rim is so adapted and arranged that it acts and does duty as a hames, and when placed in a reverse position it forms a groove or channel in which the ordinary and separate hames may be placed. A further feature of this invention is that two halves forming the fore-wale rim, or rim and hames, are hinged at their bottom junction, and made with a stop or limit formation so as to prevent the collar from being forced or opened outwards to an injurious extent. The rim is preferably made of a rectangular section; but it may be of an open channel or T or U section.

[NOTE.—The above extract from the specification is inserted in place of the claims.]

(Specification, 4s. 3d. ; drawing, 1s.)

No. 24590.—1st July, 1908.—JOHN McLAREN, of North Street, Ascot Vale, Victoria, Australia, Business Manager. An improved soft metal-headed nail.

Extract from Specification.—This invention consists of a soft metal-head twisted-shank nail, which will be used mainly for securing corrugated iron or other similar material where it is desirable that a close-fitting joint be made between the metal sheet and the underside of head, and without injuring or indenting said material, also the use of a soft metal head mitigates the effect of an overdriving blow. The twisted shank may either be formed from angular-sectioned twisted wire, cut with a point in suitable lengths and then have its upper part prepared to receive the soft metal head, or it may be formed from angular-sectioned straight wire, which would also be cut with a point in suitable lengths, and be prepared to secure the soft metal head, and either twisted before or after the soft metal head has been formed upon the said shank.

[NOTE.—The above extract from the specification is inserted in place of the claims.]

(Specification, 3s. 6d. ; drawing, 1s.)

No. 24591.—12th July, 1907.—FRANK ROWLEY, of Fernilee, Whaley Bridge, Chester, England, Managing Director. Improvements in tennis and similar playing-balls.

[NOTE.—This is an application under section 106 of the Act, the date given being the official date of the application in Great Britain.]

Claims.—(1.) The improved manufacture of tennis and like playing-balls, which consists, first, in forming a fabric-restraining shell of shaped segments sewn together; second, lining the shell with indiarubber; third, inflating the ball, and then coating it externally with indiarubber, and finally vulcanising the ball in a mould, substantially as described. (2.) An improved tennis and like playing-ball, comprising an internal indiarubber shell, an outer shell formed of fabric segments stitched together and cemented to the indiarubber shell, and an outermost shell or covering of indiarubber cemented to the fabric shell, the outermost shell being applied after the ball has been inflated, so that it remains in an unstretched condition, substantially as described. (3.) The improved tennis and like playing-ball, constructed substantially as described.

(Specification, 3s. ; drawing, 1s.)

No. 24592.—1st July, 1908.—CARL JULIUS ALEXANDER GOTTLIEB, Manager of St. Paul's Kirkeplads, 9 Aarhus, Denmark. Improvements in condensers or vapourisers.

Extract from Specification.—At condensers or vapourisers of the double-tube system it has often been felt as a deficiency that the inner tube was not surrounded by the outer tube at the curves uniting the inner straight tubes, so that the surface of the said inner tube was not utilised to its full extent, while difficulties would arise in connection with the cleaning of the water-tubes, whether the latter were the inner or the outer tubes. The present invention aims at meeting these deficiencies by shaping the outer tube so as both to surround the inner tube entirely, and to render the cleaning very easy.

[NOTE.—The above extract from the specification is inserted in place of the claims.]

(Specification, 4s. 6d. ; drawing, 2s.)

No. 24601.—2nd July, 1908.—JAMES TIFFEN, of Makikihi, Otago, New Zealand, Chaff-cutter. Improvements in chaff-cutters.

Claim.—In combination with the feed-roller and comb of a chaff-cutter, of a revolvably mounted clearing-roller provided with a series of collars, said collars fitting between the teeth of the comb and the teeth of the feed-roller, substantially as specified and illustrated in the drawing.

[NOTE.—Here follows one other claim.]

(Specification, 2s. ; drawing, 1s.)

No. 24610.—29th June, 1908.—HAROLD MORGAN, of Roxburgh, New Zealand, Mechanical Engineer. Improved pontoons for supporting current motors and the like.

Extract from Specification.—The principle of my invention may be broadly described by considering two supporting iron or steel tubular floats bound by regular curves. The shape of the section of the said floats need not be circular or elliptical, as a D-shaped section would act equally as well. A bow is formed on each float, for the purpose of giving the least possible resistance in a current. The floats are secured to a framework or platform suitably braced in such a position that a parallel space of sufficient width is provided to permit a current wheel or motor being supported therein and actuated by a current.

[NOTE.—The above extract from the specification is inserted in place of the claims.]

(Specification, 4s. 6d. ; drawing, 5s.)

No. 24611.—27th June, 1908.—WALLACE ROGNETTA POND, of Berkeley, Alameda County, California, United States of America, Druggist, and WALTER RANDOLPH HALL, of No. 1542 California Street, San Francisco, California aforesaid, Druggist (nominees of Edmund Morse Pond, of Rutland, Vermont, United States of America, Physician). Improvements in medicated tampon.

Claims.—(1.) A medicated tampon comprising a soluble casing, a body of medicated material carried thereby, and an expansible filling for the casing, a portion of the filling protruding from one end of the casing. (2.) A medicated tampon comprising a soluble casing, a body of medicated material carried thereby in the shape of a plug inserted in one end of the casing, and an expansible fibrous filling for the casing protruding from the other end of the casing.

[NOTE.—Here follow five other claims.]

(Specification, 9s. ; drawing, 1s.)

No. 24612.—4th July, 1908.—HARRY EDWARD JONES, of Palmerston North, New Zealand, Cycle Agent. Improved means for securing a bicycle-pump to the frame of the machine.

Claims.—(1.) Means for securing a bicycle-pump, consisting of the parts constructed, arranged, combined, and operating substantially as specified and illustrated in the drawing.

(2.) For the purpose indicated, in combination, a lock secured to the frame member of a bicycle, a pin passing therethrough adapted to engage the end of the pump, and means for fastening the said pin by means of the bolt of the lock, substantially as specified and illustrated.

(Specification, 1s. 6d. ; drawing, 1s.)

No. 24613.—4th July, 1908.—ARTHUR RICHARD RANN, Contractor, and HENRY COLLINS, Labourer, both of Auckland, New Zealand. Improved apparatus for suspending, raising, and lowering curtains and the like.

Claims.—(1.) Apparatus for suspending, raising, and lowering window-curtains and the like, consisting of the parts constructed, combined, arranged, and operating substantially as set forth and illustrated. (2.) Apparatus for the purpose indicated, comprising, in combination, a head-board, pulleys therein, a cross-piece, lines suspending the cross-piece from the head-board, and a pole connected to the cross-piece, substantially as set forth and illustrated.

(Specification, 1s. 6d. ; drawing, 1s.)

No. 24614.—4th July, 1908.—WILLIAM TURNBULL, of 256 Lambton Quay, Wellington, New Zealand, Architect. An improved flusher for water-closets and the like.

Claims.—(1.) A flusher of the class described, comprising, in combination, a chamber to which water is admitted, a valve and seat within the chamber, means for lifting the valve off its seat, a hollow stem integral with the valve and having lateral holes, a valve fixed to the top of the hollow stem, a piston slidable upon the hollow stem and fitting the cylinder and having a seat and holes within the circumference of the seat, a screw having a sawcut and screwed into the hollow stem, a second chamber, a valve and valve-seat within the said chamber, a piston above the valve and fitting the chamber, a neck having a lateral hole and connecting the valve and piston, screws having sawcuts and screwed into holes passing through the piston and valve and communicating with the lateral hole in the neck, a piston fitting the chamber, and a valve-seat at the top of the chamber, there being a passage for air from the top of the chamber to the bottom thereof, as set forth.

[NOTE.—Here follow six other claims.]

(Specification, 6s. ; drawing, 1s.)

No. 24619.—29th June, 1908.—ERNEST ST. GEORGE TUCKER, of Springvale, Wanganui, New Zealand, Settler. An improved device to prevent corks from blowing out of bottles.

Claim.—In a metal spring loop to fit over the top of bottles, having the extremities bent upwards, substantially as described in specification and drawing.

(Specification, 1s. ; drawing, 1s.)

No. 24631.—8th July, 1908.—JAMES JOWETT, of Chestnut Cottage, Bolton-le-Sands, Lancaster, England, Colliery Agent. Improved treatment of coal for fuel and gas manufacture.

Claims.—(1.) As a new manner of manufacture, a fuel resulting from the treatment of coal in gas-manufacture by the mixing therewith of the chemicals, chlorate of soda, chlorate of potash, saltpetre, and permanganate of potash.

[NOTE.—Here follow six other claims.]

(Specification, 5s. 6d.)

No. 24640.—9th July, 1908.—MARY ELIZABETH BUICK, of Eden Terrace, Auckland, New Zealand, Dressmaker. A knee-pad for scrubbing and other purposes.

Extract from Specification.—The pad is made so as to be adjustably fitted to the knee, and can be attached to a dropper from a band placed round the waist of the worker, whereby it is always available for use without preparation.

[NOTE.—The above extract from the specification is inserted in place of the claims.]

(Specification, 2s. ; drawing, 1s.)

No. 24643.—11th July, 1908.—ERNEST RICHARD ROYSTON, of 15 Water Street, Liverpool, England, Consulting Engineer. Improvements in or connected with the melting of salt.

Claims.—(1.) In the melting of salt, the process consisting in supplying it at a plurality of points to the furnace, forming it into a plurality of piles therein, and introducing and passing the melting gases directly on to the outside surface of said piles, and enveloping same in such gases, substantially as set forth.

[NOTE.—Here follow seven other claims.]

(Specification, 8s. 6d. ; drawing, 3s.)

No. 24644.—11th July, 1908.—AAGE JENSEN, of the City of Eureka, Humboldt, California, United States of America. Manufacturer of Dairy Machinery. Liquid ripeners.

Claims.—(1.) In an apparatus of the character described, the combination of a suitable receptacle for containing the liquid to be treated, a pipe therein in the form of a spiral coil, connections with the ends of said pipe extending to the outside of the receptacle, means for rotating said coil, and means for conducting a heating or cooling medium into one end of said coil and out from the other end thereof, substantially as described.

[NOTE.—Here follow six other claims.]

(Specification, 6s. ; drawing, 2s.)

No. 24651.—13th July, 1908.—JOHN WILKIE STEWART, of Oreti Plains, Southland, New Zealand. Improvement in or relating to tine harrows.

Claim.—A tine for harrows having a portion of its length at its lower end bent round to lie approximately at right angles to the vertical portion, and parallel with the harrow-frame, substantially as and for the purpose specified.

(Specification, 1s. 6d. ; drawing, 1s.)

No. 24661.—14th July, 1908.—OSWALD VERNON FORBES, of Dudley House, Baron's Court, West Kensington, London, England, Officer in His Majesty's Army (assignee of John Thomas Woolston, of Admitt Road, Northampton, England, Boot-manufacturer). Improvements in boots, shoes, and the like.

Claims.—(1.) A boot, shoe, or the like, of the kind referred to, having a "middle" sole attached to and arranged to project beyond and around the "upper" and to form a welt, substantially as and for the purpose described. (2.) A boot, shoe, or the like, of the kind referred to, having a "middle" sole as above claimed, and a "through" sole of corresponding shape, but of smaller dimensions, attached thereto, said "through" sole having its rim or periphery chamfered to form a channel or groove between itself and the said "middle" sole, substantially as and for the purpose described.

[NOTE.—Here follow nine other claims.]

(Specification, 12s. 6d. ; drawing, 5s.)

No. 24665.—14th July, 1908.—GEORGE WILLAN GRAINGER, of Kiritaki, near Dannevirke, New Zealand, Civil Engineer. An improved concrete fencing-post.

Claims.—(1.) A concrete fencing-post formed at intervals in its height, with grooves transversely arranged across its front face, and each adapted to receive a fencing-wire, and provided with a number of loops formed in one with a length of wire embedded longitudinally within the post, one of such loops projecting outwards into each groove, and arranged to lie either vertically or horizontally therein, substantially as specified. (2.) A concrete fencing-post formed with a groove extending vertically down its front face, and with a number of grooves extending transversely across such face at intervals in its height, and provided with metal loops projecting outwards, one from the bottom of each transverse groove, and arranged in a horizontal plane, and coincident with the vertical groove, substantially as and for the purposes specified. (3.) A concrete fencing-post constructed as described in claim 2, in combination with a rod or wire adapted to be passed down the vertical groove and through all of the metal loops, substantially as and for the purpose specified.

(4.) The improved concrete fencing-post constructed substantially as described and explained, and as illustrated in the drawings.

(Specification, 3s. ; drawing, 1s.)

No. 24668.—14th July, 1908.—FRANCIS WRIGHT, of Dudley Street, Luton, Bedford, England, Manufacturer. Improvements in or relating to the manufacture of straw and other hats.

Claims.—(1.) In a hat of the kind referred to, an elastic or flexible insertion of L-section, composed of wire woven so as to constitute a network, trellis, or other form, for the purposes specified. (2.) In a hat as claimed in claim 1, the insertion consisting of a woven-wire tubular structure pressed and shaped to the desired form, substantially as described for the purposes specified. (3.) A hat having its parts constructed and arranged, substantially as described with reference to the drawings, for the purposes specified.

(Specification, 3s. 6d. ; drawing, 1s.)

No. 24693.—20th July, 1908.—JOHN FENTON, of Grey Lynn, Auckland, New Zealand, Fire Brigade Superintendent. Improved means for use in drying clothes.

Claims.—(1.) Means for use in drying clothes, comprising, in combination, spring clips adapted to fit upon and grip a shelf or other horizontal fixture, and with bearings in their outer ends, a bar carried horizontally in such bearings, hooks adapted to be hung upon such bar, and formed with rests, and horizontal bars carried in such rests, substantially as specified. (2.) The improved means for use in drying clothes, substantially as described and explained, and as illustrated in the drawings.

(Specification, 2s. ; drawing, 1s.)

No. 24710.—16th July, 1908.—JOHN CROOK, of Grey Lynn, near Auckland, New Zealand, Engineer. An improved means of producing air-gas.

Extract from Specification.—A generator is provided, which is sealed from the atmosphere, at the top end of which a suitably volatile oil, such as gasoline, is fed from a reservoir through a valve on to a series of trays which form a spiral passage-way. Air slightly under pressure is introduced at the bottom of the generator, the air on its passage through the generator and around the spiral passage-way of the trays to the outlet-pipe, which is placed on top of vessel, comes in contact with the gasoline, taking up the hydrocarbons contained in it, and reaching the outlet-pipe in the form of a luminous gas. An overflow-chamber is placed beneath the generator for receiving the overflow of gasoline. A perforated tray and an air-float with a spirally formed passage-way serve to more effectively bring the air in contact with the hydrocarbons of the gasoline.

[NOTE.—The above extract from the specification is inserted in place of the claims.]

(Specification, 5s. 9d. ; drawing, 1s.)

No. 24715.—23rd July, 1908.—JOHN STRASSMEYER, of Christchurch, New Zealand, Cabinetmaker. Improved construction of school-desk.

Claims.—(1.) A school-desk characterized by having a top slidably mounted so as to be capable of moving backwards and forwards upon the desk-frame, substantially as specified. (2.) In school-desks, a top slidably mounted upon the frame, and adapted to slide backwards and forwards thereon, and

a gutter formed at the back edge of the frame and below the slidable top, substantially as and for the purposes specified. (3.) In school-desks, a top slidably mounted upon the desk-frame, and adapted to slide backwards and forwards thereon, and formed with a groove extending transversely across its under surface, and a vertical pin fixed to the frame beneath the top and fitting into such groove, substantially as and for the purposes specified. (4.) The improved school-desk, constructed and arranged substantially as described and explained, and as illustrated in the drawings.

(Specification, 3s. ; drawing, 1s.)

An asterisk (*) denotes the complete specification of an invention for which a provisional specification has been already lodged.

NOTE.—The cost of copying the specification and drawing has been inserted after the notice of each application. An order for a copy or copies should be accompanied by a post-office order or postal note for the cost of copying.

The date of acceptance of each application is given after the number.

Extracts from the drawings accompanying the foregoing complete specifications appear at the end of this *Gazette*.



J. C. LEWIS,

Registrar.

Provisional Specifications accepted.

Patent Office,
Wellington, 19th August, 1908.

APPLICATIONS for Letters Patent, with provisional specifications, have been accepted as under:—

- No. 23529.—C. R. Skipage, cow-bail.
- No. 24477.—G. W. Thompson, ladder.
- No. 24539.—W. G. J. Brown, hair-tonic.
- No. 24649.—S. H. Day, whipple-tree.
- No. 24672.—F. S. Barnes, gate.
- No. 24673.—F. S. Barnes, draw-bar.
- No. 24690.—L. G. Grace, bicycle-fork.
- No. 24695.—G. M. Scott, illuminated advertising device.
- No. 24701.—E. Hill, A. Wakem, and E. Papworth, potato-grubber.
- No. 24704.—C. W. Nance, preserving perishable goods.
- No. 24705.—L. W. D. Andrews, disc talking-machine.
- No. 24707.—J. P. Dyason and B. Gerlach, dish washer and dryer.
- No. 24708.—J. M. Landon, talking-machine.
- No. 24709.—N. G. G. Winkelmann, ash-pan.
- No. 24713.—F. Dando, game.
- No. 24717.—E. W. Gowdy, railway-truck coupling.
- No. 24716.—E. C. Piercy, milk heater and cooler.
- No. 24719.—J. Arthur, jun., elevating and conveying machinery.
- No. 24725.—J. Gibbon, drill-holder.
- No. 24720.—J. Pedersen, churn.
- No. 24727.—J. M. Taylor and H. Oakley, pump attachment for cistern. (F. Wright.)
- No. 24729.—E. J. Butterworth, fire-grate.
- No. 24731.—G. L. Columbus, breeching attachment for two-horse vehicle.
- No. 24734.—W. Seifert and W. Campbell, flax-treatment.
- No. 24736.—G. R. Reston and J. F. Molloy, process-block printing.
- No. 24737.—L. R. Sundercombe, flash-signal apparatus.
- No. 24738.—H. E. Wilson, trolley-pole retriever.
- No. 24741.—A. E. Harkin, painters' boot-protector.
- No. 24742.—W. Seifert, clutch mechanism.
- No. 24743.—W. Seifert, flax-catcher.
- No. 24745.—R. L. L. Luke, brooch-pin.
- No. 24746.—J. Grant, gate-fastening.
- No. 24747.—C. Uddstrom, circular-saw spindle.
- No. 24748.—G. Forsyth, egg-carrier.
- No. 24749.—G. R. Fellows, gas-producer and grate.
- No. 24750.—C. McIntyre, fumigator.
- No. 24756.—T. Hallett, flax-washing.
- No. 24757.—C. Anketell, ironing-board.

- No. 24760.—G. Walker, fibre-drying and loading and unloading mechanism.
 No. 24762.—F. H. James, Target.
 No. 24764.—C. S. Bayley, trolley-head.

[NOTE.—Provisional specifications cannot be inspected, or their contents made known by this office in any way, until the complete specifications in connection therewith have been accepted.]

Letters Patent sealed.

LIST of Letters Patent sealed from the 30th July to the 14th August, 1908, inclusive:—

- No. 22221.—J. T. Keane, displaying mathematical tables.
 No. 22488.—United Shoe Machinery Company, machine for inserting fasteners, &c. (A. Bates and T. Briggs.)
 No. 22489.—United Shoe Machinery Company, machine for reinforcing insoles (A. Eppler.)
 No. 22490.—United Shoe Machinery Company, insole and machine for producing same. (A. E. Johnson.)
 No. 22585.—J. A. Steele, apron for harvester-binder.
 No. 22706.—G. Hutchinson, flat-plate seed-sower.
 No. 22722.—G. Hutchinson, rotary seed-sower.
 No. 22764.—United Shoe Machinery Company, lock-stitch wax-thread sewing-machine. (B. F. Mayo.)
 No. 22765.—United Shoe Machinery Company, sewing-machine lubricator, &c. (J. B. Hadaway.)
 No. 22775.—E. Hayes, lever apparatus.
 No. 22777.—W. B. Miller, steam turbine.
 No. 22833.—G. Hutchinson, pneumatic valve cap-holder.
 No. 22912.—T. Robson, carpenters' bench stop.
 No. 22920.—United Shoe Machinery Company, method and apparatus for making shoes. (E. Bayard.)
 No. 22927.—Manufacturers' Machine Company, sole-rounding machine. (J. J. Heys.)
 No. 22969.—F. T. Boys, iron fencing-standard.
 No. 23031.—A. J. Hobbs and J. R. Jewell, preventing horses running away.
 No. 23152.—A. E. Callow, staple.
 No. 23203.—A. J. Fortescue, device for connecting ends of metal tires.
 No. 23397.—D. Amos and A. M. Carroll, hanger for overhead wire.
 No. 23688.—A. J. Siddall, attachment for supporting pictures.
 No. 23824.—J. Baker and Sons, Limited, dough, &c., dividing machine. (J. Burns.)
 No. 23922.—P. H. Shailer and W. Sully, automatic coupling.
 No. 23943.—E. Coombs, plaster ceiling.
 No. 23956.—A. A. Stephenson, mixture for incandescent-vapour light.
 No. 24054.—C. W. Nance, extraction of air-gas.
 No. 24055.—T. T. Main and C. W. Nance, preservation of edible substances.
 No. 24102.—M. Brown, E. A. Brown, and W. P. Rough, anti-rattler for windows, &c.
 No. 24312.—E. C. E. Mills, P. Heyes, and W. J. Napier, machine for automatically vending stamps, tickets, &c. (R. J. Dickie and J. H. Brown.)

Letters Patent on which Fees have been paid.

[NOTE.—The dates are those of the payments.]

SECOND-TERM FEES.

- No. 17900.—B. F. Dunn, preventing rivers, &c., silting-up. 11th August, 1908.
 No. 18303.—J. Hartnett and D. M. Robison, cow-milker. 6th August, 1908.
 No. 18306.—E. Quertier, dredging and excavating machine. 8th August, 1908.
 No. 18324.—A. Kilborn, milking-machine. 7th August, 1908.
 No. 18331.—R. Thomas and G. Hall, fencing-post. 12th August, 1908.
 No. 18333.—R. Sands, half-tone photolithography, &c. (A. Stephan and R. Sands.) 13th August, 1908.
 No. 18353.—W. Fairweather, sen., J. Fairweather, and W. Fairweather, jun., flax-stripper. 10th August, 1908.
 No. 18369.—L. T. Chambers and W. E. Thompson, gate. (J. F. McNeill.) 6th August, 1908.
 No. 18382.—The Dawson Patent Egg-carrier Company, Limited, egg-carrier. (J. G. Dawson.) 4th August, 1908.
 No. 18427.—J. Gray, fertiliser-drill. 11th August, 1908.
 No. 19019.—A. Smallwood, generating and applying heat. 13th August, 1908.
 No. 19864.—The Ore Concentration Company (1905), Limited, separation by flotation. (F. E. Elmore.) 15th August, 1908.

THIRD-TERM FEES.

- No. 13772.—J. F. R. Gwatkin, seed-sower. 11th August, 1908.
 No. 13906.—J. MacLean, horse-cover. 3rd August, 1908.
 No. 13922.—Dunlop Pneumatic Tire Company of Australasia, Limited, tire-cover manufacture. (H. J. Doughty.) 6th August, 1908.
 No. 14168.—J. W. Hardley and S. Hardley, jun., spouting-bracket. 11th August, 1908.

Subsequent Proprietors of Letters Patent registered.

[NOTE.—The name of the patentee is given in brackets; the date is that of registration.]

No. 19106.—Notification of agreement entered on the register between John Ramage, of Balclutha, New Zealand, Plumber, and John Green and William Lawrence Yates, both of Napier, New Zealand, Plumbers, carrying on business as the Napier Plumbing Company, whereby the said John Ramage agrees to sell and the said John Green and William Lawrence Yates to purchase the Letters Patent so far as they relate to the North Island. Acetylene-gas generator and holder. (J. Ramage.) 12th August, 1908.

No. 23113.—Linotype and Machinery Limited, of 188 and 189 Fleet Street, London, England. Sheet-inverting apparatus for use in connection with printing-machines. (W. E. Hughes—Linotype and Machinery Limited—T. M. North and T. R. G. Parker.) 12th August, 1908.

No. 23351.—The Empire Oil-engine Syndicate, Limited, of 34 Great St. Helen's, in the City and County of London, England. Internal combustion engine. (C. H. T. Alston.) 12th August, 1908.

No. 23885.—Seth Louis Johnson, of Holmbank Lodge, Tyersal, Bradford, in the County of York, England, and William Edward Calvert, of 117 Beechwood Road, Illingworth, Halifax, in the County of York, England. Cutter for sheep-shearing. (E. S. Baldwin and H. H. Rayward—S. L. Johnson and W. E. Calvert.) 12th August, 1908.

No. 23885.—The Yorkshire Wool and Leather Company, Limited, of 205 Garnett Street, Bradford, County of York, England. Cutter for sheep-shearing machine. (E. S. Baldwin and H. H. Rayward—S. L. Johnson and W. E. Calvert.) 12th August, 1908.

No. 23956.—Charles Seymour McFarlane, of H.M. Theatre, Gisborne Poverty Bay, New Zealand, in respect of the Counties of Waiapu, Cook, and Wairoa. Mixture for use in connection with incandescent-vapour light. (A. A. Stephenson.) 17th August, 1908.

Notice of Request to amend Specification.

Patent Office,
 Wellington, 19th August, 1908.

A REQUEST for leave to amend the specification relating to the undermentioned application for Letters Patent has been received, and is open to public inspection at this office. Any person may at any time within one month from the date of this Gazette give me notice in writing of opposition to the amendments. Such notice must set forth the particular grounds of objection and be in duplicate. A fee of 10s. is payable thereon.

No. 23453.—C. Suttie and M. H. Wynyard.—Means of operating mechanical catcher for flax (advertised in Supplement to *New Zealand Gazette*, No. 61, of the 6th August, 1908).

The nature of the proposed amendment is as follows:—
 To insert on page 7, after the paragraph ending "the wheel 19 and 40," the following paragraph:—

"The initiating movement of the first gearing, instead of being taken off the feed-roller, can be taken in other ways, as, for instance, off a tensioned flap in the mouthpiece of the stripper, or a toothed wheel placed in such mouthpiece and raised, pressed, or revolved by the movement of feeding the flax into the stripper through the mouthpiece."

In applying for the amendment the applicants state that "the paragraph referred to above was, with the exception of the words 'tensioned' and 'pressed,' part of the provisional specification, and was omitted from the complete specification in error."

J. C. LEWIS,
 Registrar.

Requests for Correction of Clerical Errors in Applications for Letters Patent.

NO. 24225.—W. W. Pearce, necktie-holder (advertised in Supplement to *New Zealand Gazette*, No. 43, of the 28th May, 1908).

To alter the number "12" to "11," line 34, page 2 of specification.

No. 24226.—W. W. Pearce, writing-case, &c. (advertised in Supplement to *New Zealand Gazette*, No. 43, of the 28th May, 1908).

In figures 1, 2, and 3 of the drawings to insert the following reference numbers: "48," "49," "50," and "51."

In figure 3 of the drawings to strike out two numbers "39," and insert instead "35" and "36."

Requests for Correction of Clerical Errors in Applications for Letters Patent allowed.

THE requests for correction of clerical errors in the following application for Letters Patent have been allowed.

No. 22570.—United Shoe Machinery Company (advertised in Supplement to *New Zealand Gazette*, No. 49, of the 25th June, 1908).

Nos. 24014 and 24015.—J. T. Hunter (advertised in Supplement to *New Zealand Gazette*, No. 39, of the 14th May, 1908).

Applications for Letters Patent abandoned.

LIST of applications, with which provisional specifications only have been filed, abandoned (*i.e.*, complete specifications not lodged) from the 21st July to the 3rd August, 1908, inclusive:—

No. 23557.—W. M. Ross, septic tank and filter.

No. 23563.—A. H. Anderson and H. C. Ell, suction dressing apparatus in threshing-machine.

No. 23578.—A. H. Wood, wheel for wheelbarrow.

No. 23582.—W. E. Chamberlain, locking nuts on bolts.

No. 23590.—E. Moss, construction of tell tale apparatus.

No. 23592.—P. O. Von Hartitzsch, trolley-pole retriever.

No. 23596.—W. H. Boyens, spouting-bracket.

No. 23602.—T. H. White and J. A. Jamieson, suspending and joining overhead wires.

No. 23607.—S. J. Plain, sluice-box. (R. Griffen.)

No. 23609.—A. P. Gaidener, obtaining antimony, lead, &c., from sulphides. (J. Storer.)

No. 23611.—A. H. Darcey, shoe.

No. 23624.—E. de Cossey, hydraulic pump.

No. 23625.—F. Wilkins, candle holder and extinguisher.

Applications for Letters Patent void.

APPPLICATIONS for Letters Patent, with which complete specifications have been lodged, void owing to non-acceptance of such complete specifications, from the 3rd to the 19th August, 1908, inclusive:—

No. 22823.—E. N. Murray, combination shirt and tunic.

No. 22831.—A. Jarrett, liquid-delivering device.

No. 22837.—T. Mitchell, window-frame.

Application for Letters Patent lapsed.

APPPLICATION for Letters Patent lapsed, owing to Letters Patent not being sealed, from the 4th to the 17th August, 1908, inclusive:—

No. 22423.—J. Montgomery, cooling-chamber.

Letters Patent void.

LIST of Letters Patent void through non-payment of renewal fees, and through expiry of term of fourteen years, from the 4th to the 17th August, 1908, inclusive:—

THROUGH NON-PAYMENT OF SECOND-TERM FEES.

No. 17872.—The British Westinghouse Electric and Manufacturing Company, Limited, voltage-varying apparatus. (W. E. Hughes—The British Westinghouse Electric and Manufacturing Company, Limited—H. R. Stuart.)

No. 17881.—P. R. Hudson, wall-construction. (A. Bruckner.)

No. 17882.—D. M. Robertson, totalisator.

No. 17885.—E. Cornwall Cook, ticket-punch.

No. 17888.—W. Tarrant, horse-shoe.

No. 17890.—J. Stuart, releasing and lowering ships' boats.

No. 17898.—W. Guthridge, Limited, ore-concentrator table. (W. L. Card and F. S. Card.)

No. 17902.—W. Sasse, conveying water under pressure to dredge.

No. 17905.—H. S. Stark, gold-extraction.

No. 17906.—J. Watson and W. Mackay, flax-treatment.

No. 17907.—The Christchurch Tramway Board, trolley-wheel of electric cars. (S. Symington.)

No. 17917.—The Hall Signal Company, signal apparatus. (C. W. Coleman.)

No. 17918.—J. S. Larke, book, &c., clip or holder.

No. 17930.—J. Jamison, reading-desk and table.

THROUGH NON-PAYMENT OF THIRD-TERM FEES.

No. 13590.—The Powter Company, grease-extractor. (N. B. Powter.)

THROUGH EXPIRY OF TERM.

No. 7040.—A. F. Allohin, W. J. Allchin, and S. Morrell, legging-fastener.

Designs registered.

DESIGNS have been registered in the following names, on the dates mentioned:—

No. 396.—Alcock and Co. Proprietary, Limited, of No. 155 Elizabeth Street, Melbourne, in the State of Victoria, Commonwealth of Australia, Billiard-table Manufacturers. Class 3. 29th July, 1908.

No. 397.—Samuel George Roseman, of Auckland, in the Dominion of New Zealand, Brush-manufacturer. Class 3. 29th July, 1908.

Nos. 398 and 399.—Sargood, Son, and Ewen, Limited, of Dunedin and elsewhere, in the Dominion of New Zealand. Class 10. 4th August, 1908.

Nos. 400, 401, and 402.—The Carrara Ceiling Company, Limited, of Wellington South, in the Dominion of New Zealand, Patentees and Manufacturers of Stuccolin-work, and Importers of Laths and Plaster. Class 3. 12th August, 1908.

Nos. 403, 404, 405, and 406.—The Carrara Ceiling Company, Limited, Wellington South, in the Dominion of New Zealand, Patentees and Manufacturers of Stuccolin-work, and Importers of Laths and Plaster. Class 3. 15th August, 1908.

Design expired.

THE copyright in the following design has expired:—

No. 189.—Harry Day, Christchurch, New Zealand. (Photo-frame.)

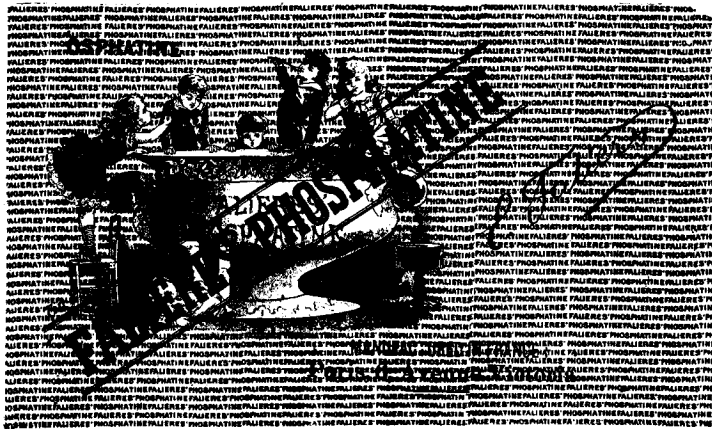
Applications for Registration of Trade Marks.

Patent Office, Wellington, 20th August, 1908.

APPLICATIONS for registration of the following Trade Marks have been received. Notice of opposition to the registration of any of these applications may be lodged at this office within two months of the date of this Gazette. Such notice must be in duplicate, and accompanied by a fee of £1.

No. of application : 6424.
Date : 14th January, 1907.

TRADE MARK.



The essential particulars of this trade mark are as follow — the word "Phosphatine," the copy of the written signature, and the pictorial device; and any right to the exclusive use of the words "Manufactured in France" is disclaimed.

NAME.

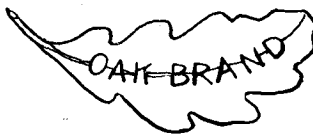
CHASSAING & CIE, of 6 Avenue Victoria, Paris, France, Manufacturers of Pharmaceutical Preparations.

No. of class : 42.

Description of goods : Foods for invalids and children.

No. of application : 7092.
Date : 8th January, 1908.

TRADE MARK.



The essential particulars of this trade mark are the device and word "Oak"; and any right to the exclusive use of the added matter is disclaimed.

NAME.

EPHRAIM LIGGINS AND TOBIAS CHILD FROGGATT, trading as "Liggins and Froggatt," of 18 Green Lane, Walsall, in the County of Stafford, England, Manufacturers.

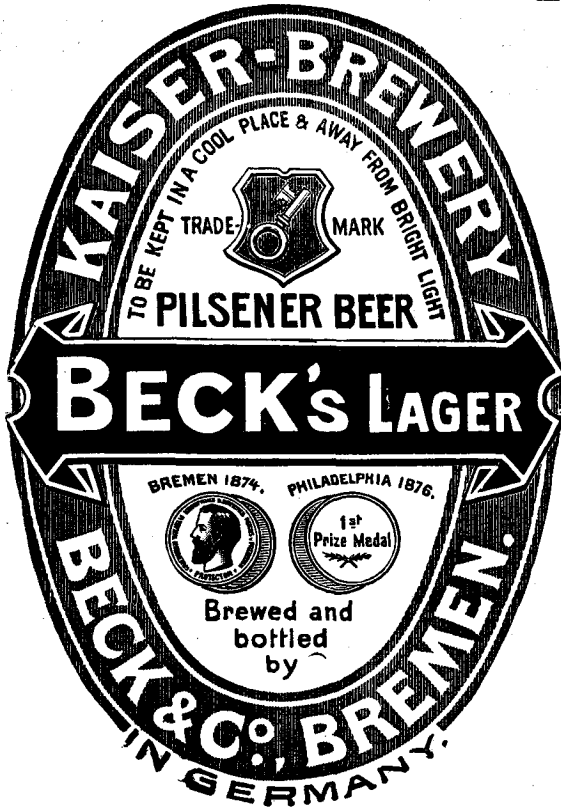
No. of class : 37.

Description of goods : All goods included in this class.

NOTE.—Class 37 is for "Leather, skins unwrought and wrought, and articles made of leather not included in other classes, such as saddlery, harness, whips, portmanteaux, furs."

No. of application : 7295.
Date : 29th April, 1908.

TRADE MARK.



The essential particular of this trade mark is the combination of devices; and the applicants disclaim any right to the exclusive use of the added matter, except their trading name and address.

NAME.

KAISER BRAUEREI BECK AND Co., of Am Deich 44-47. Bremen, Germany, Brewers.

No. of class : 43.
Description of goods : Beer.

No. of application : 7378.
Date : 11th June, 1908.

TRADE MARK.



The essential particulars of this trade mark are the words "All Gold" and general design of label; and any right to the exclusive use of the added matter is disclaimed.

NAME.

W. AND G. TURNBULL AND Co., of Customhouse Quay, Wellington, in the Dominion of New Zealand.

No. of class : 42.
Description of goods : Preserved fruits in syrup.

No. of application : 7379.
Date : 11th June, 1908.

TRADE MARK.

The word
"MOUNTAINEER."

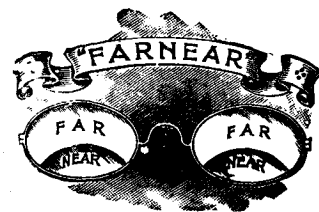
NAME.

CYCLE AND MOTOR SUPPLIES LIMITED, of Farish Street, Wellington, in the Dominion of New Zealand.

No. of class : 22.
Description of goods : Motor-cycles.

No. of application : 7402.
Date : 24th June, 1908.

TRADE MARK.



The applicant disclaims any right to the exclusive use of a representation of a pair of spectacles.

NAME.

SAMUEL BARRY, of 290 Queen Street, Auckland, in the Dominion of New Zealand, Eyesight Specialist.

No. of class : 8.
Description of goods : Spectacle-glasses.

No. of application : 7429.
Date : 8th July, 1908.

TRADE MARK.



The essential particulars of this trade mark are the word "Riksha" and the design as above; and any right to the exclusive use of the added matter is disclaimed.

NAME.

DILLICAR BROS., of Hamilton, Auckland, in the Dominion of New Zealand, General Merchants.

No. of class : 42.
Description of goods : Substances used as food or as ingredients in food, such as tea, baking-powder, essences.

No. of application : 7440.

Date : 11th July, 1908.

TRADE MARK



NAME

BALSAS HERMANOS, of Vera Cruz, Mexico, Cigar-manufacturers.

No. of class : 45.

Description of goods: Tobacco (whether manufactured or unmanufactured), cigars, and cigarettes.

No. of application : 7443.

Date : 14th July, 1908.

TRADE MARK



NAME

BRYANT AND MAY, LIMITED, of Fairfield Works, Bow, London, England, Match-manufacturers.

No. of class : 47.

Description of goods: Matches, vestas, night-lights, lucifers, tapers, and fuseses.

No. of application : 7456.

Date : 21st July, 1908.

TRADE MARK



TRADE MARK

The essential particulars of this trade mark are the device of a griffin and the word "Griffin"; and any right to the exclusive use of the added matter is disclaimed.

NAME

GOLLIN AND Co. PROPRIETARY, LIMITED, of 78 Jervois Quay, Wellington, in the Dominion of New Zealand.

No. of class : 38.

Description of goods: All articles under this class with the exception of rubber overshoes and articles of a like description.

[NOTE.—Class 38 is for "Articles of clothing, such as hats of all kinds, caps and bonnets, hosiery, gloves, boots and shoes, and other ready-made clothing."

No. of application : 7465.

Date : 28th July, 1908.

TRADE MARK

The word

"SAVAGE."

NAME

PHILIPS AND PIKE, of Customhouse Quay, Wellington, in the Dominion of New Zealand, Merchants.

No. of class : 45.

Description of goods: Tobaccos, cigars, cigarettes, and snuffs.

No. of application : 7466.

Date : 28th July, 1908.

TRADE MARK

The word

"EDUARDO."

NAME

PHILIPS AND PIKE, of Customhouse Quay, Wellington, in the Dominion of New Zealand, Merchants.

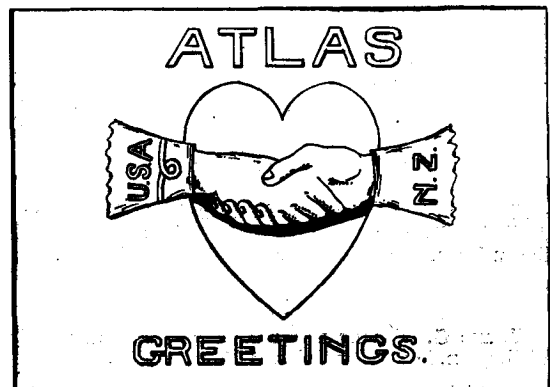
No. of class : 45.

Description of goods: Tobaccos, cigars, cigarettes, and snuffs.

No. of application : 7472.

Date : 29th July, 1908.

TRADE MARK



The essential particulars of this trade mark are the distinctive device, and the word "Atlas," and the word "Greetings"; and any right to the exclusive use of the added matter is disclaimed.

NAME.

GEORGE SCOTT, of Biscuit and Confectionery Works, Dundas Street, Christchurch, in the Dominion of New Zealand, Confectioner.

No. of class: 42.

Description of goods: Biscuits and confectionery.

No. of application: 7473.

Date: 29th July, 1908.

TRADE MARK.

C*G
BRETILLES HYGIENIQUES
CHARLES GUYOT
A PARIS



The essential particular of this trade mark is the distinctive label.

NAME.

P. BAILLY & CIE, of 1 Avenue de la Republique, Paris, France, trading as "Guyot" and as "Charles Guyot," Manufacturers.

No. of class: 38.

Description of goods: Braces.

No. of application: 7474.

Date: 29th July, 1908.

TRADE MARK.



The essential particular of this trade mark is the distinctive label.

NAME.

DR. B. J. KENDALL COMPANY, a corporation duly organized under the laws of the State of Vermont, United States of America, located and doing business at Enosburg Falls, in the County of Franklin, in said State of Vermont, engaged in manufacturing Medical Preparations.

No. of class: 2.

Description of goods: A liquid preparation used as a remedy for ring-bones, spavin, splint, curb, unnatural enlargements of the joints and the like in horses and cattle.

No. of application: 7479.

Date: 30th July, 1908.

TRADE MARK.

The word

"VENTOSA."

NAME.

D. BENJAMIN AND Co., of Dowling Street, Dunedin, in the Dominion of New Zealand, Merchants and Importers.

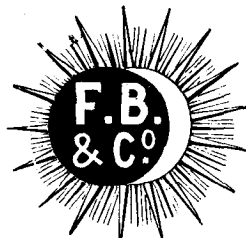
No. of class: 14.

Description of goods: Spoons, forks, and all other articles made of precious metals or imitation thereof included in this class.

No. of application: 7480.

Date: 30th July, 1908.

TRADE MARK.



"ECLIPSE BRAND"

NAME.

FREDRICK BRABY AND Co., LIMITED, of Fitzroy Works, 352 to 364 Euston Road, London, England, Manufacturers.

No. of class: 14.

Description of goods: Goods of precious metals, including aluminium, nickel, britannia-metal, &c., and jewellery, and imitations of such goods and jewellery.

No. of application: 7482.

Date: 31st July, 1908.

TRADE MARK.

The word

"MISTLETOE."

NAME.

ELLEN MARIA JOHNSON, wife of Samuel Johnson, of Woodville, in the Dominion of New Zealand, Labourer.

No. of class: 42.

Description of goods: Food for calves.

No. of application : 7483.

Date : 4th August, 1908.

TRADE MARK

The word

"SEAFOAM."

NAME.

SARGOOD, SON, AND EWEN, LIMITED, of Dunedin and elsewhere in the Dominion of New Zealand, Warehousemen.

No. of class : 38.

Description of goods : Boots and shoes.

No. of application : 7486.

Date : 7th August, 1908.

TRADE MARK.

BO-PEEP



NAME

ALEXANDER FERGUSSON AND Co., LIMITED, "The Glasgow Lead and Colour Works." Ruchill Street, Mary Hill, Glasgow, Scotland, Lead and Colour Merchants and Manufacturers.

No. of class : 1.

Description of goods : Chemical substances used in manufactures or philosophical research and anti-corrosives.

No. of application : 7487.

Date : 10th August, 1908.

TRADE MARK.

The word

66 REUMATI 99

TRADE MARK.

The essential particular of this trade mark is the word "Reumati"; and any right to the exclusive use of the added matter is disclaimed.

NAME.

JOHN WILLIAM LYES, of 89B Colombo Street, Sydenham, Christchurch, in the Dominion of New Zealand.

No. of class : 3.

Description of goods : An embrocation.

No. of application : 7489.

Date : 10th August, 1908.

TRADE MARK.

The word

"KODAK."

NAME.

AUSTRALIAN KODAK, LIMITED, whose registered office is a Southampton Crescent, Abbotsford, near Melbourne, in the State of Victoria, Commonwealth of Australia, Manufacturers.

No. of class : 1.

Description of goods : All photographic materials included in Class 1.

No. of application : 7491.

Date : 10th August, 1908.

TRADE MARK.

The word

"KODAK."

NAME.

AUSTRALIAN KODAK, LIMITED, whose registered office is at Southampton Crescent, Abbotsford, near Melbourne, in the State of Victoria, Commonwealth of Australia, Manufacturers.

No. of class : 39.

Description of goods : All photographic materials included in Class 39.

No. of application : 7492.

Date : 10th August, 1908.

TRADE MARK.

The word

"AUSTRAL."

NAME.

AUSTRALIAN KODAK, LIMITED, whose registered office is at Southampton Crescent, Abbotsford, near Melbourne, in the State of Victoria, Commonwealth of Australia, Manufacturers.

No. of class : 1.

Description of goods : All photographic materials included in Class 1.

No. of application : 7493.
Date : 10th August, 1908.

TRADE MARK.
The word
"AUSTRAL."

NAME.

AUSTRALIAN KODAK, LIMITED, whose registered office is at Southampton Crescent, Abbotsford, near Melbourne, in the State of Victoria, Commonwealth of Australia, Manufacturers.

No. of class : 39.
Description of goods : All photographic materials included in Class 39.

No. of application : 7494.
Date : 10th August, 1908.

TRADE MARK.
The word
"BROWNIE."

NAME.

AUSTRALIAN KODAK, LIMITED, whose registered office is at Southampton Crescent, Abbotsford, near Melbourne, in the State of Victoria, Commonwealth of Australia, Manufacturers.

No. of class : 8.
Description of goods : Philosophical instruments, scientific instruments, and apparatus for useful purposes; instruments and apparatus for teaching.

No. of application : 7495.
Date : 10th August, 1908.

TRADE MARK.
The words
"BULL'S EYE."

NAME.

AUSTRALIAN KODAK, LIMITED, whose registered office is at Southampton Crescent, Abbotsford, near Melbourne, in the State of Victoria, Commonwealth of Australia, Manufacturers.

No. of class : 8.
Description of goods : Philosophical instruments, scientific instruments, and apparatus for useful purposes; instruments and apparatus for teaching.

No. of application : 7497.
Date : 10th August, 1908.

TRADE MARK.
The word
"PEARL."

NAME.

AUSTRALIAN KODAK, LIMITED, whose registered office is at Southampton Crescent, Abbotsford, near Melbourne, in the State of Victoria, Commonwealth of Australia, Manufacturers.

No. of class : 39.
Description of goods : All photographic materials included in Class 39.

No. of application : 7498.
Date : 10th August, 1908.

TRADE MARK.
The word
"VELOX."

NAME.

AUSTRALIAN KODAK, LIMITED, whose registered office is at Southampton Crescent, Abbotsford, near Melbourne, in the State of Victoria, Commonwealth of Australia, Manufacturers.

No. of class : 39.
Description of goods : All photographic materials included in Class 39.

No. of application : 7501.
Date : 11th August, 1908.

TRADE MARK.
The word
"CHAMPION'S."

NAME.

The applicants claim that the said trade mark has been used by them and their predecessors in business for more than thirty years.

CHAMPION AND SLEE, LIMITED, of London, England, Manufacturers.

No. of class : 15.
Description of goods : Glass bottles.

No. of application : 7503.
Date : 11th August, 1908.

TRADE MARK.
The word
"DEFIANCE."

NAME.

P. HAYMAN AND Co., of Wellington, in the Dominion of New Zealand, Merchants.

No. of class : 22.
Description of goods : Bicycles.

No. of application : 7505.
Date : 13th August, 1908.

TRADE MARK.
The word

Tween

NAME.

J. MOORES AND SONS, of 33 Heaton Street, Denton, Lancashire, England, Wholesale Hat-manufacturers.

No. of class: 38.

Description of goods: Hats and caps.

No. of application: 7506.

Date: 13th August, 1908.

TRADE MARK.

The applicants claim that the said trade mark has been used by them and their predecessors in business in respect of the said goods since upwards of thirty years last past.

NAME.

KAYSER ELLISON AND Co., LIMITED, of Carlisle Works, Sheffield, England, Manufacturers.

No. of class: 5.

Description of goods: Iron and steel, and other unwrought and partly wrought metals used in manufacture.

No. of application: 7507.

Date: 13th August, 1908.

TRADE MARK.

(The mark as shown in preceding notice, No. 7506.)

The applicants claim that the said trade mark has been used by them and their predecessors in business in respect of the said goods since upwards of thirty years last past.

NAME.

KAYSER ELLISON AND Co., LIMITED, of Carlisle Works, Sheffield, England, Manufacturers.

No. of class: 6.

Description of goods: Machinery of all kinds and parts thereof, including machine-knives, machine-tools, twist-drills, milling and other cutters, and similar goods included in this class and not included in other classes.

No. of application: 7508.

Date: 13th August, 1908.

TRADE MARK.

(The mark as shown in preceding notice No. 7506.)

The applicants claim that the said trade mark has been used by them and their predecessors in business in respect of the said goods since upwards of thirty years last past.

NAME.

KAYSER ELLISON AND Co., LIMITED, of Carlisle Works, Sheffield, England, Manufacturers.

No. of class: 12.

Description of goods: Cutlery, edge-tools, files, and saws.

No. of application: 7510.

Date: 14th August, 1908.

TRADE MARK.

The words

“KIA ORA.”

NAME.

ROLAND THOMAS ROBERTSON, of Grey Street, Wellington, in the Dominion of New Zealand, Indent Agent.

No. of class: 43.

Description of goods: All goods included in this class.

NOTE.—Class 43 is for “Fermented liquors and spirits, such as beer, cider, wine, whisky, liqueurs.”

No. of application: 7511.

Date: 14th August, 1908.

TRADE MARK.

The word

“SKIPPER.”

NAME.

T. H. GREEN AND Co., of Christchurch, in the Dominion of New Zealand, Bacon Curers and Merchants.

No. of class: 42.

Description of goods: Tinned and preserved fish of all kinds.

No. of application: 7512.

Date: 14th August, 1908.

TRADE MARK.

The word

“MOUNTAINEER.”

NAME.

CYCLE AND MOTOR SUPPLIES, LIMITED, of Farish Street, Wellington, in the Dominion of New Zealand.

No. of class: 6.

Description of goods: Motor-engines.

J. C. LEWIS,
Registrar.

Erratum.

IN *Gazette* No. 43, of the 28th May, 1908, under the heading “Applications for Registration of Trade Marks,” the initials of the applicant for Trade Mark No. 7320 were inadvertently inserted as “G. K.” Samuel, instead of “E. K.” Samuel.

Trade Marks registered.

LIST of Trade Marks registered from the 6th August to the 18th August, 1908, inclusive:—

- No. 5728/7284.—Hoyles Prints, Limited. Class 24. (*Gazette* No. 35, of the 30th April, 1908.)
- No. 5729/7328.—Skelton, Frostick, and Co., Limited. Class 38. (*Gazette* No. 43, of the 28th May, 1908.)
- No. 5730/7305.—W. Taine. Class 3. (*Gazette* No. 43, of the 28th May, 1908.)
- No. 5731/7306.—W. Taine. Class 39. (*Gazette* No. 43, of the 28th May, 1908.)
- No. 5732/7307.—W. Taine. Class 42. (*Gazette* No. 43, of the 28th May, 1908.)
- No. 5733/7308.—W. Taine. Class 47. (*Gazette* No. 43, of the 28th May, 1908.)
- No. 5734/7309.—W. Taine. Class 48. (*Gazette* No. 43, of the 28th May, 1908.)
- No. 5735/7310.—W. Taine. Class 50. (*Gazette* No. 43, of the 28th May, 1908.)
- No. 5736/7302.—Mercer and Mitchell. Class 42. (*Gazette* No. 43, of the 28th May, 1908.)
- No. 5737/6955.—Wilson and Co. Class 24. (*Gazette* No. 91, of the 17th October, 1907.)
- No. 5738/6958.—The Albion Motor-car Company, Limited. Class 22. (*Gazette* No. 2, of the 9th January, 1908.)
- No. 5739/6973.—R. Klinger. Class 8. (*Gazette* No. 17, of the 5th March, 1908.)
- No. 5740/7067.—The Johnson-Richardson Company, Limited. Class 1. (*Gazette* No. 39, of the 14th May, 1908.)
- No. 5741/7033.—Canada Cycle and Motor Company, Limited. Class 22. (*Gazette* No. 7, of the 23rd January, 1908.)
- No. 5742/7113.—Galena Signal Oil Company. Class 47. (*Gazette* No. 10, of the 6th February, 1908.)
- No. 5743/7123.—S. Osborn and Co., Limited. Class 5. (*Gazette* No. 7, of the 23rd January, 1908.)
- No. 5744/7124.—S. Osborn and Co., Limited. Class 6. (*Gazette* No. 7, of the 23rd January, 1908.)
- No. 5745/7125.—S. Osborn and Co., Limited. Class 12. (*Gazette* No. 7, of the 23rd January, 1908.)
- No. 5746/7127.—S. Osborn and Co., Limited. Class 5. (*Gazette* No. 7, of the 23rd January, 1908.)
- No. 5747/7128.—S. Osborn and Co., Limited. Class 6. (*Gazette* No. 7, of the 23rd January, 1908.)
- No. 5748/7129.—S. Osborn and Co., Limited. Class 12. (*Gazette* No. 7, of the 23rd January, 1908.)
- No. 5749/7130.—S. Osborn and Co., Limited. Class 13. (*Gazette* No. 7, of the 23rd January, 1908.)
- No. 5750/7155.—H. Rubinstein. Class 43. (*Gazette* No. 10, of the 6th February, 1908.)
- No. 5751/7222.—H. Wertheim. Class 9. (*Gazette* No. 25, of the 2nd April, 1908.)
- No. 5752/7278.—Aachener Stahlwaarenfabrik Actien-Gesellschaft. Class 6. (*Gazette* No. 35, of the 30th April, 1908.)
- No. 5753/7329.—Hayman and Co. Class 10. (*Gazette* No. 43, of the 28th May, 1908.)
- No. 5754/7345.—The Zealandia Soap and Candle Company, Limited. Class 47. (*Gazette* No. 46, of the 11th June, 1908.)
- No. 5755/7346.—The Zealandia Soap and Candle Company, Limited. Class 47. (*Gazette* No. 46, of the 11th June, 1908.)

Subsequent Proprietors of Trade Marks registered.

[NOTE.—The name of the former proprietor is given in brackets; the date is that of registration.]

- No. 87/4327 and 3466/2710.—Stapley and Smith, Limited, of 128 London Wall, London, England, Manufacturer of ladies' and children's clothing and undergarments. (Stapley and Smith.) 14th August, 1908.
- No. 6717/5476, 6718/5477, 6719/5478, 6933/5423.—Gramophone Company, Limited, of 21 City Road, in the City and County of London, England, Manufacturers. (Change of name from The Gramophone and Typewriter, Limited.) 12th August, 1908.

Trade Mark Renewal Fees paid.

FEES paid for the renewal of the undermentioned Trade Marks for fourteen years from the date first mentioned:—

- No. 1126/889.—11th May, 1908.—Mackerras and Hazlett, Limited, of Dunedin, New Zealand. 4th May, 1908.
- No. 1209/926.—13th August, 1908.—Reckitt and Sons, Limited, of Sydney, N.S.W., and of Hull and London, England. 6th August, 1908.
- No. 1210/932.—14th August, 1908.—Alfred Bishop and Sons, Limited, London, England. 13th August, 1908.

Trade Marks removed from the Register.

TRADE Marks removed from the Register owing to the non-payment of the renewal fee, from the 4th to the 17th August, 1908, inclusive:—

- Nos. 1115/988, 1116/989, 1117/990, 1118/991.—5th May, 1894. The Wairarapa Farmers' Co-operative Association, Limited, of Masterton, New Zealand. Class 42.
- No. 1120/858.—7th May, 1894. West Taieri Dairy Factory, of Woodside, Otago, New Zealand. Class 42.
- No. 1121/867.—7th May, 1894. W. Strange and Co., of Christchurch, New Zealand. Class 38.
- No. 1122/887.—7th May, 1894.—M. Bianchon, of Paris, France. Class 3.
- No. 1128/869.—14th May, 1894.—Nind, Ward, and Co., of Christchurch, New Zealand. Class 43.
- No. 1129/879.—14th May, 1894.—A. G. Kidston-Hunter, of Dunedin, New Zealand. Class 2.

Request for Correction of Clerical Error in Application for Trade Mark allowed.

THE request to correct the clerical error in the statement of goods in Trade Mark application No. 7069, Columbia Phonograph Company, General (advertised in Supplement to *New Zealand Gazette*, No. 46, of the 11th June, 1908), has been allowed.

Request for Amendment of Trade Mark Application allowed.

THE request to amend the statement of goods in Trade Mark application No. 7246, Bray Bros. (advertised in the supplement to *New Zealand Gazette*, No. 49, of the 25th June, 1908), has been allowed.

Advertisements.

ADVERTISEMENTS are charged at the rate of 6d. per line for the first insertion, and 3d. per line for the second and any subsequent insertion.

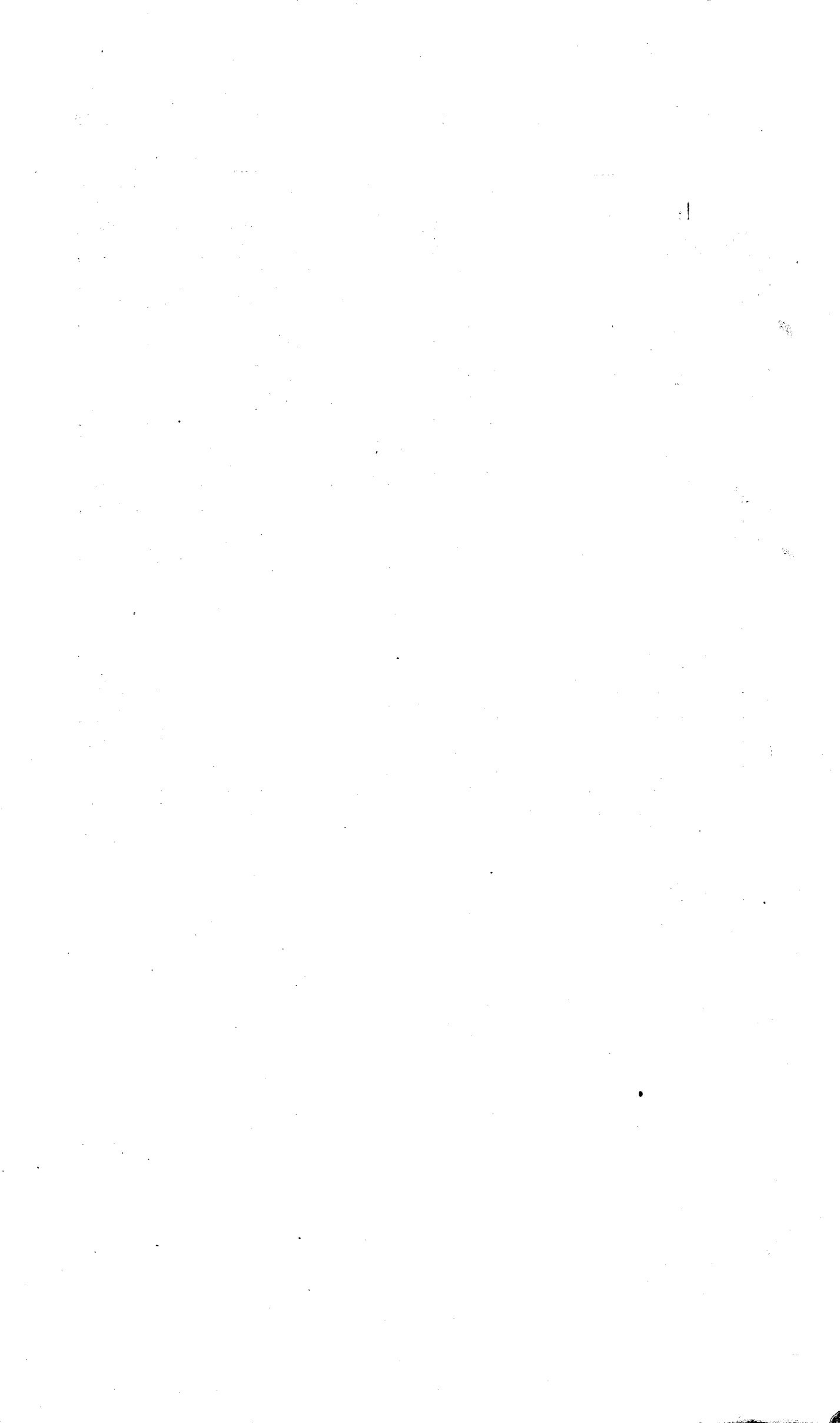
All advertisements should be written on one side of the paper, and signatures, &c., should be written in a legible hand.

The number of insertions required must be written across the face of the advertisement.

Communications should be addressed to the Government Printer, Wellington, to whom post-office money-orders should be made payable. Cheques should be crossed "Public a/c," and exchange added.

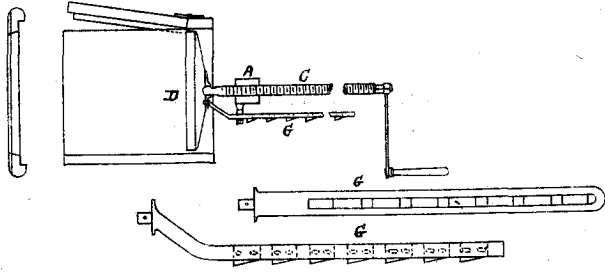
Postage or duty stamps cannot be received in payment from any place at which postal notes or post-office orders are issued.

Prepayment may be demanded in any case. In order to prevent delay in publication a sufficient remittance should accompany every advertisement. Any surplus will be returned with receipted account.

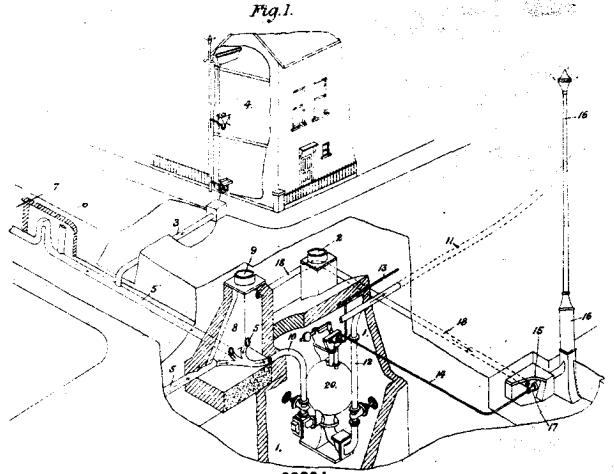


ILLUSTRATIONS OF INVENTIONS.

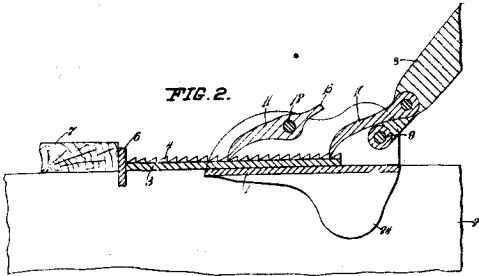
[These illustrations refer to the complete specifications accepted, and advertised in this *Gazette*.]



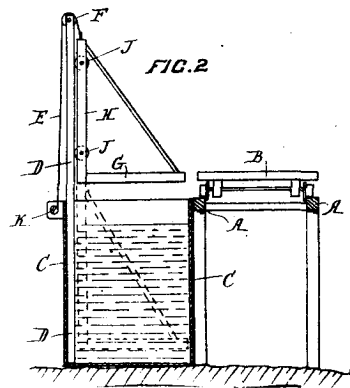
22916
Budge and Booth. Butter-cutter.



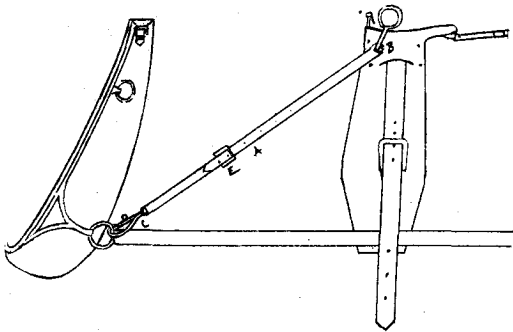
23294
Shone and Ault. Sewage-treatment.



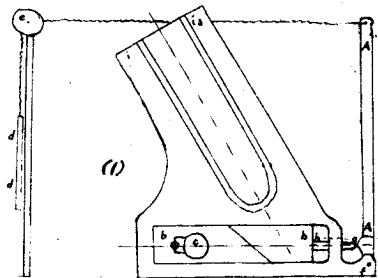
23325
Pike. Flooring-cramp.



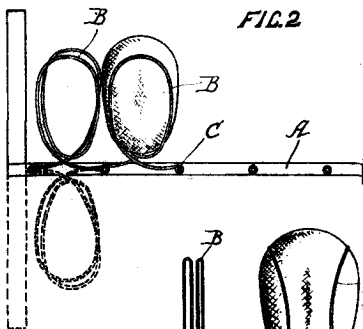
23312
Nicholson. Flax-treatment.



23327
Hoban. Girthgall-preventer.



23564
Watson and Wynd. Flax-stripper Beating-bar.



23460
Whitaker. Egg-carrier.

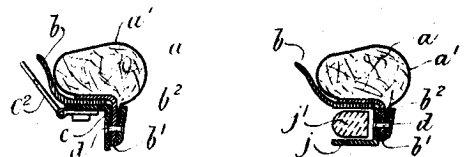
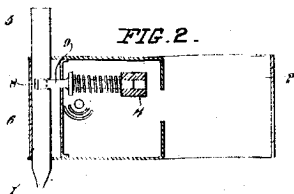


Fig. 3.

Fig. 4.



24612
Jones. Bicycle-pump Attachment.

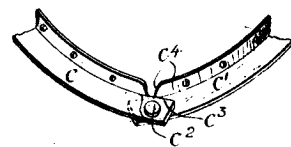
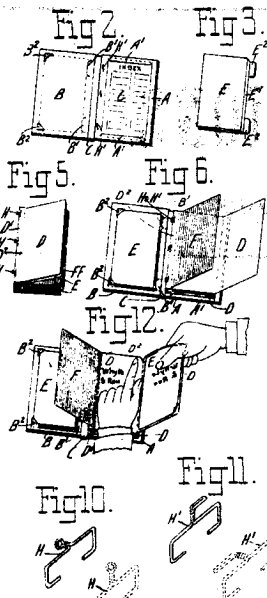


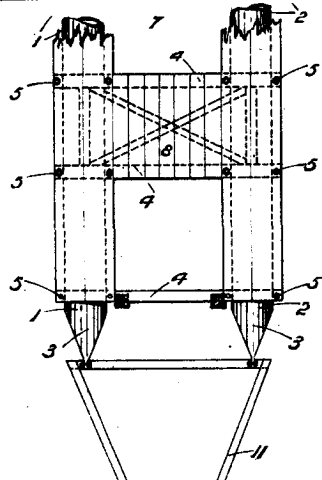
Fig. 5.

24589

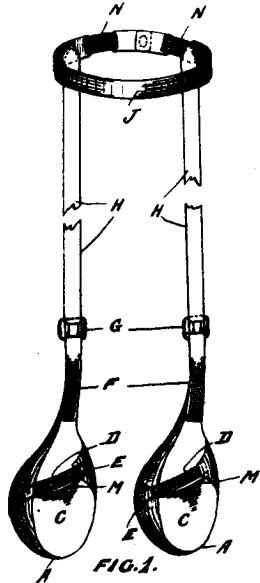
W. and J. E. Hardwick. Horse-collar.



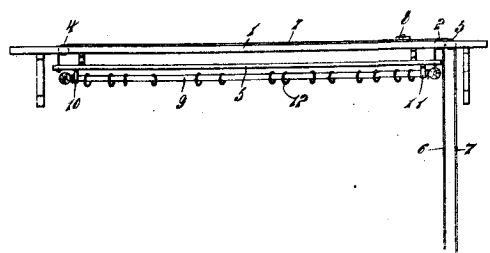
24553
Whyte and Rau. Manifold-copying Book.



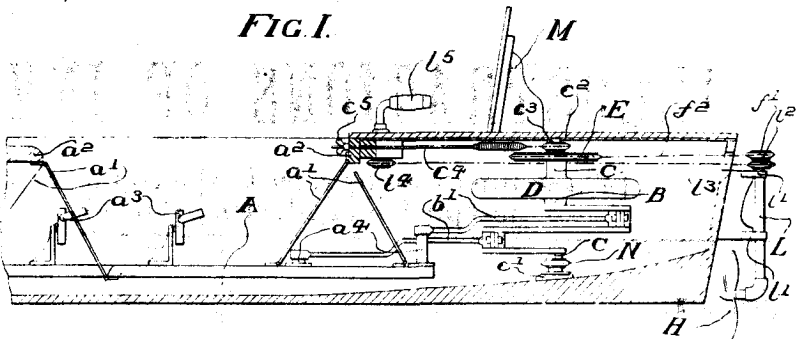
24610
Morgan. Pontoon.



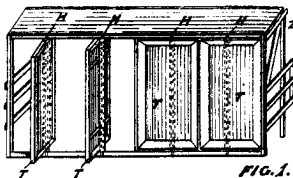
24640
Buick. Knee-pad.



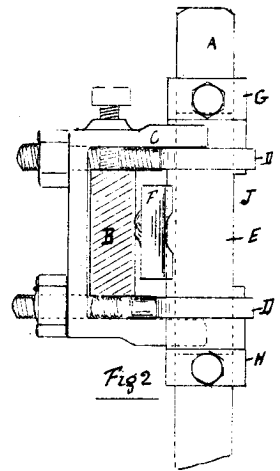
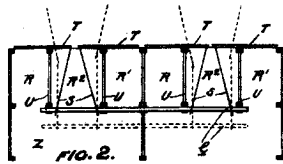
24613
Rann and Collins. Curtain-raiser.



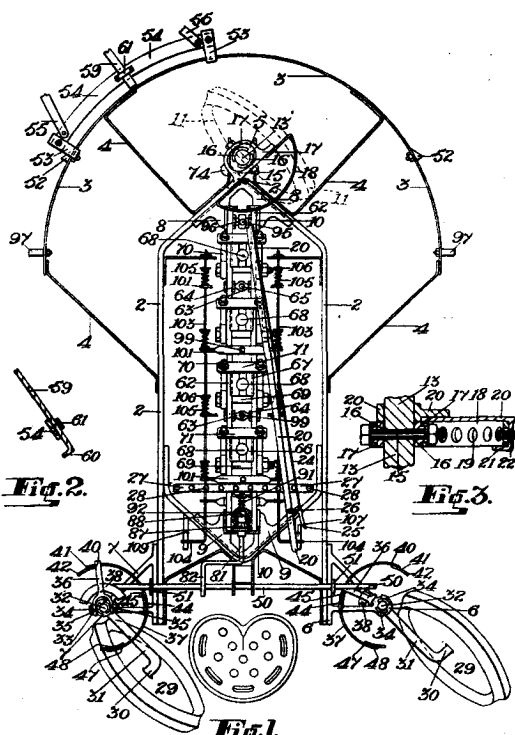
24056
Cutler. Propeller.



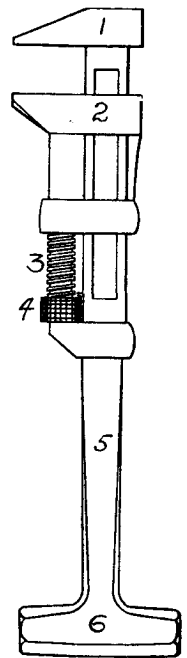
24520
Ross. Cowshed-door.



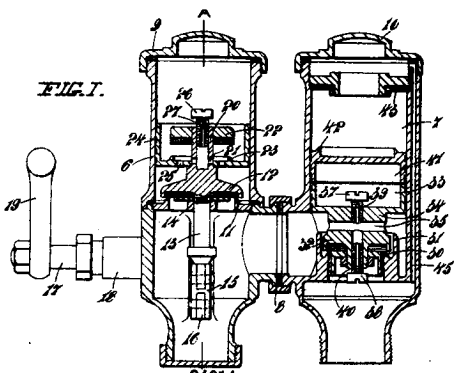
24545
Cooper. Skeith-buckle.



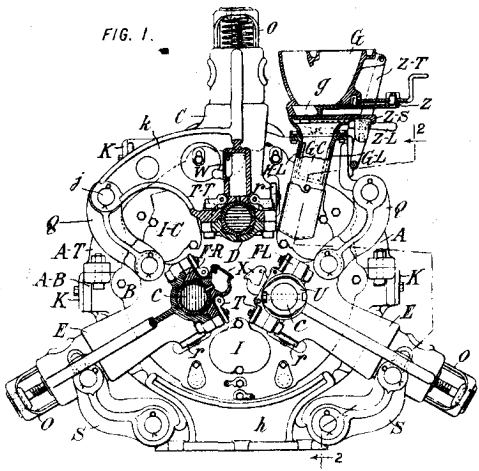
24574
Smith. Disc Plough.



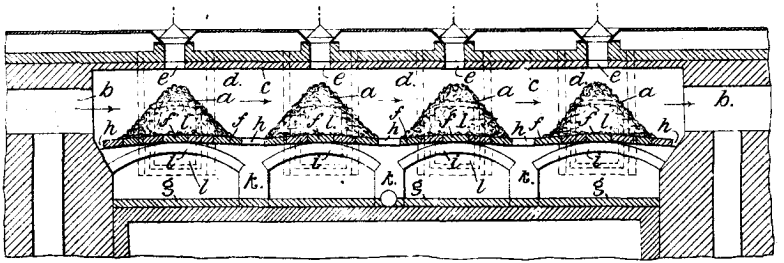
23421
O'Connor. Hammer and Spanner.



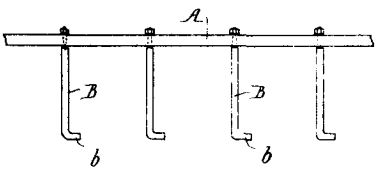
24614
Turnbull. Flush.



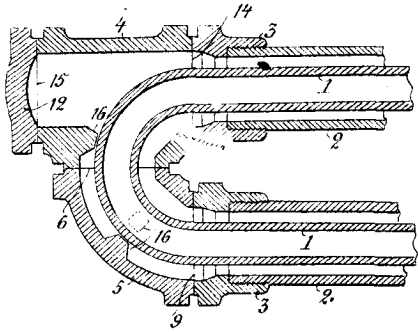
23605
Fraser. Crushing-machine.



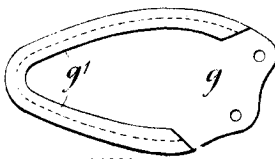
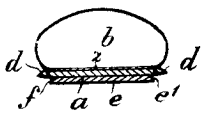
24643
Royston. Salt-melter.



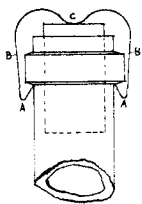
24651
Stuart. Tine Harrow.



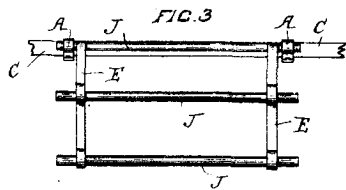
24592
Gottlieb. Condenser.



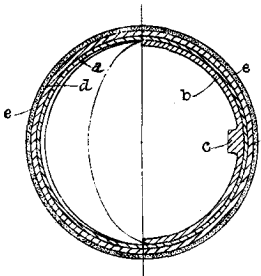
24661
Forbes. Boot.



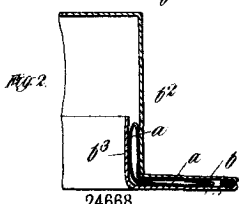
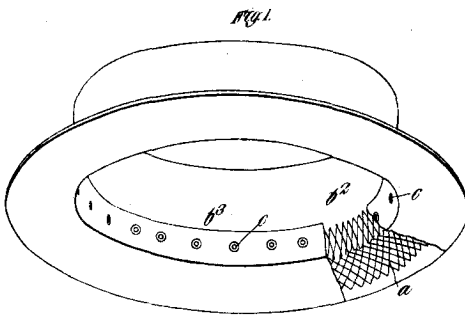
24619
Tucker. Clip for Cork.



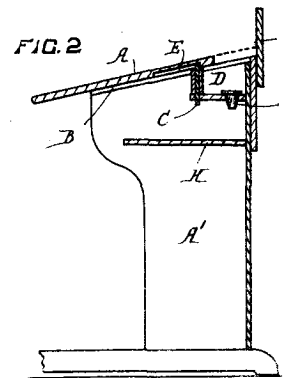
24693
Fenton. Clothes-dryer.



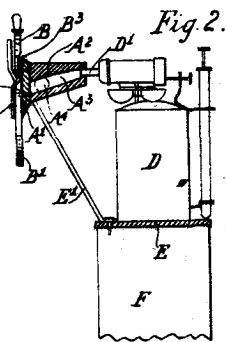
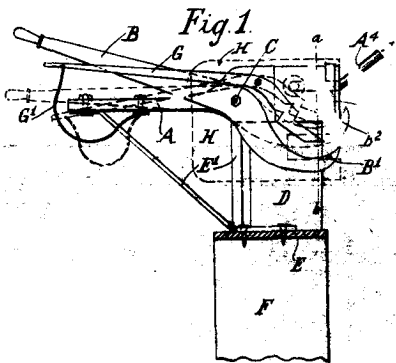
24591
Rowley. Tennis-ball.



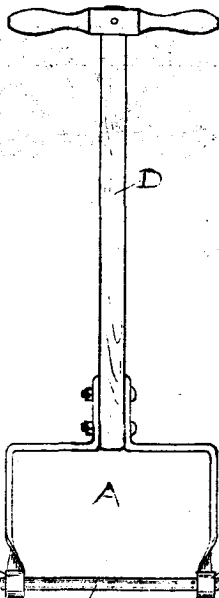
24668
Wright. Straw-hat Manufacture.



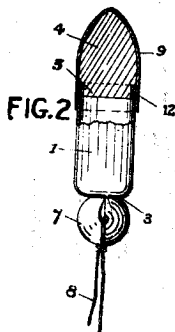
24715
Strassmeyer. School Desk.



23683
Phillips. Cutter and Cauteriser.



23759
Ralph. Wire-uncoiler.



24611
Pond and Hall. Tampon.
(Pond.)

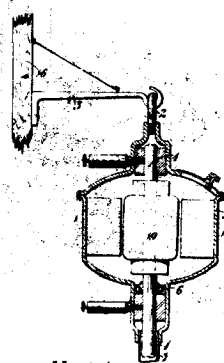
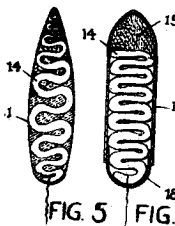
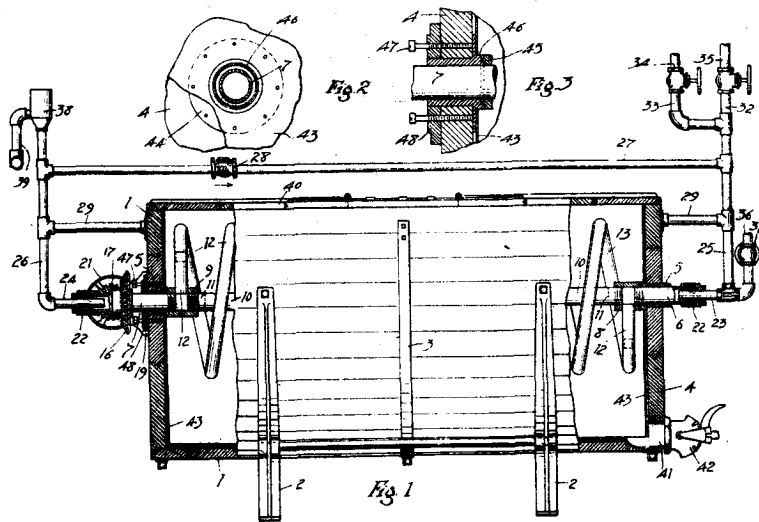


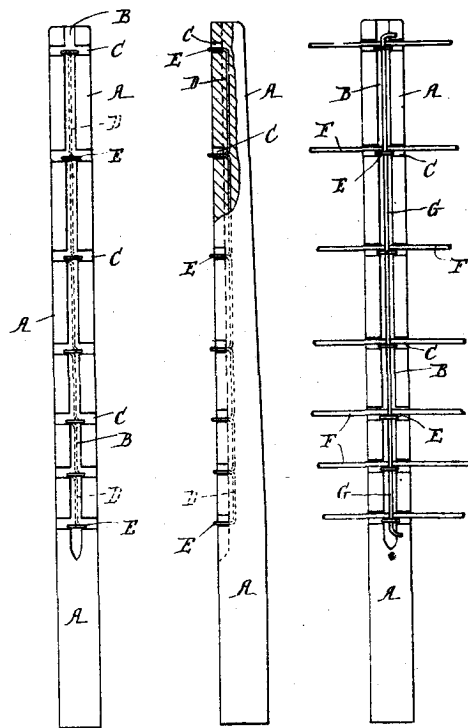
Fig. 1.



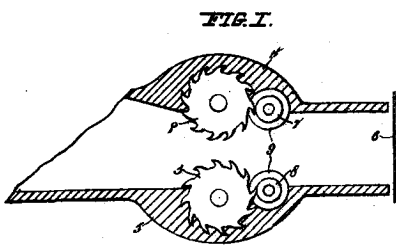
23718
Boll and Falkner. Sheep-shearing Machine.



24644
Jensen. Liquid Ripener.



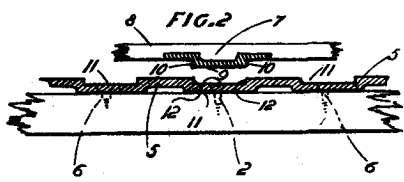
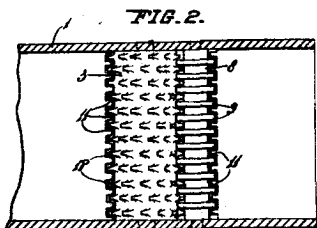
24665
Grainger. Concrete Post.



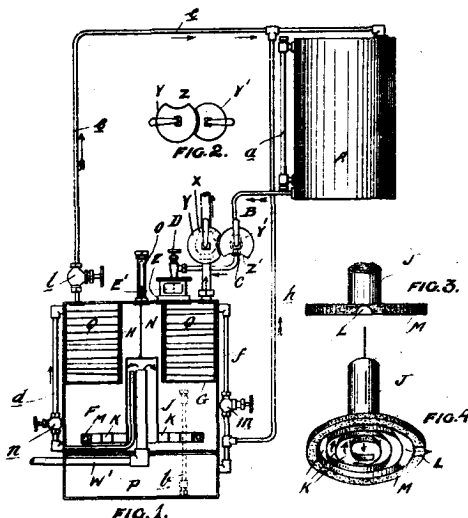
24801
Tiffen. Chaff-cutter.



24590
McLaren. Nail.



24542
Beattie and Fulton. Vehicle-seat.



24710
Crook. Air-gas Producer.